

# PVC WINDOWS

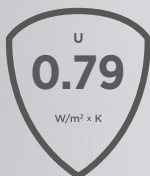


**WIŚNIEWSKI**

GATES | WINDOWS | DOORS | FENCES

## WINDOWS PRIMO 76

**Intended use:** PVC windows meeting the requirements for energy efficient and passive buildings are intended for use in residential housing, industrial buildings, and public utility facilities.



### THERMAL INSULATION

The thermal transmittance factor of the entire window from 0.79 W/m<sup>2</sup>K for the PRIMO 76 windows. The values apply to window size 1,230 x 1,480 [mm].



### SAFETY

Unwelcome guests? Not in a house furnished with WIŚNIEWSKI windows. Their precision-made structure ensures burglary resistance.



### WARRANTY

WIŚNIEWSKI windows are covered by a 7-year warranty. This is just to be on the safe side, but we want you to know that you can count on us.





## PVC WINDOWS CAN BE GROUPED AS FOLLOWS:

- according to the number of leaves: single-leaf, double-leaf, three-leaf, multi-leaf,
- according to the opening method: fixed windows, turn-only (side hung) windows, tilt-only (awning/hopper) windows, tilt and turn windows, turn and tilt windows, tilt and slide patio door, parallel-stop-slide.



# PRIMO 76

## WINDOW CHARACTERISTICS:

- Class A 5-chamber profiles, installation depth 76 [mm]
- Non-flush with the frame – straight
- Invisible effect (seam) profile joint, multi-chamber structure ensuring high thermal and acoustic insulation
- An arrangement of three gaskets (outer, central, and inner) perfectly insulates from noise, humidity, and cold
- Fitted as standard is a two-chamber glazing unit 4/18/4/18/4 Ug=0.5 W/m<sup>2</sup>K in acc. with EN 673, glazing bead 107.278, optionally a panel 24-44 [mm] thick infilled with extruded polystyrene XPS
- Glass units 24 [mm] to 48 [mm] thick can be used
- Reinforcement made of galvanized steel: frame 1.5 [mm] 113.025, steel box section, white leaf 1.5 [mm] 113.292, film coating 1.75 [mm] 113.294.2, extruded gasket with a profile
- Bonded gasket available in the following colours – black, grey, caramel. Dedicated for the colour of the film coating
- Profile core – two-sided film coating: caramel, brown, anthracite, white, single-side film coating: white
- Sound insulation Rw=33(-2,-7)dB
- Thermal insulation of the reference RU window, dimensions 1.23 [m] x 1.48 [m] RU: Uw = 0.79 W/ m<sup>2</sup>K with a 3-pane glass unit Ug = 0.5 W/m<sup>2</sup>K
- Burglary resistance up to RC2 class,
- The PRIMO 76 window is available: with a low threshold (PRIMO 76 with a low threshold), as PRIMO PSK-76 tilt and slide patio door

## STANDARD WINDOW ACCESSORIES

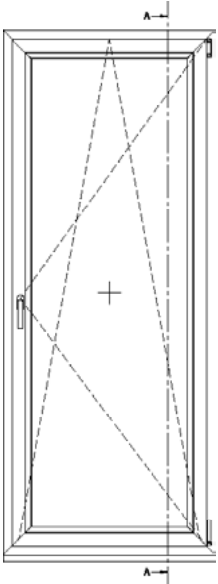
- drive gear with a lifting mishandling device and leaf lifter,
- all moving rollers i.S.,
- alloy strikers; additionally, the U, R and RU leaf features two anti-burglary strikers,
- in RU leaves, bottom striker plate as standard,
- microventilation in scissor stay,
- surface hinges with contact pressure adjustment in three dimensions,
- anti-draught lock in RU leaves,
- aluminium handle,
- infilled bottom hardware groove opening frame,
- the standard glass unit for the PRIMO 76 system is 4/18/4/18/4 Ug=0.5 W/m<sup>2</sup>K in acc. with EN-673,
- transport and installation bar,
- band handles for handling windows,
- installation anchors,
- widening system 30 [mm] in white for balcony windows with a low threshold,
- transport slides.



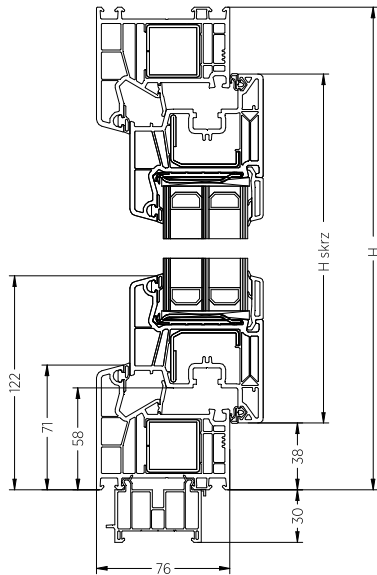
## CROSS-SECTIONS AND VIEWS

### Single-leaf, turn and tilt PRIMO 76 window, window leaf

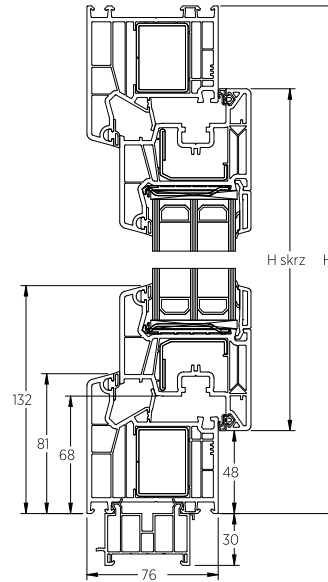
As seen from the inside



Vertical cross-section

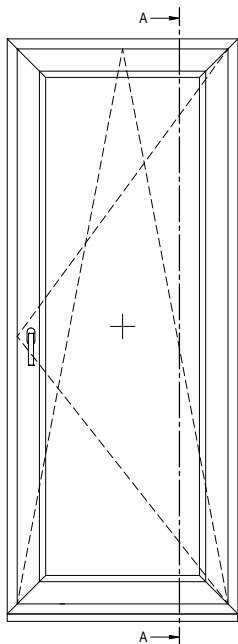


Vertical cross-section tall frame

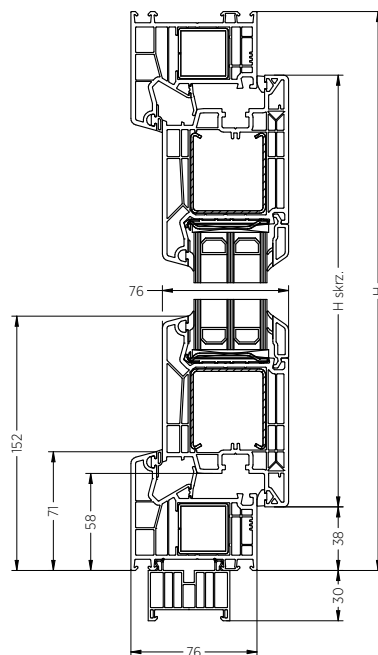


### Single-leaf, turn and tilt PRIMO 76 window, wide leaf

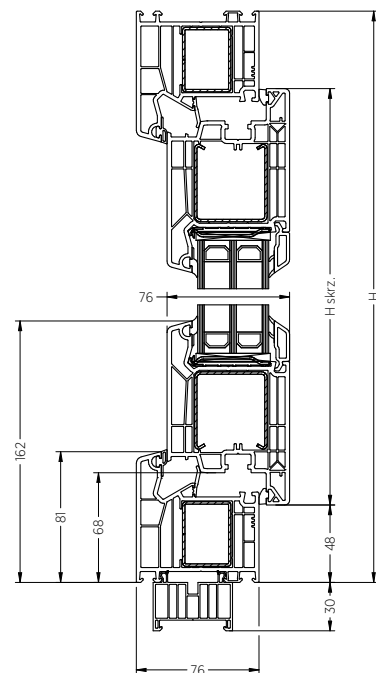
As seen from the inside



Vertical cross-section



Vertical cross-section tall frame

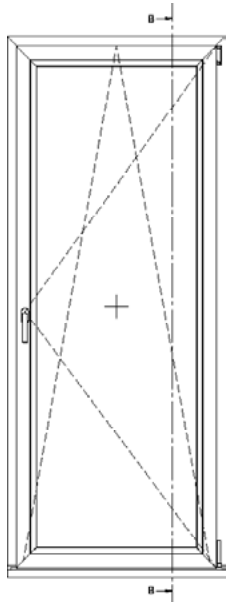




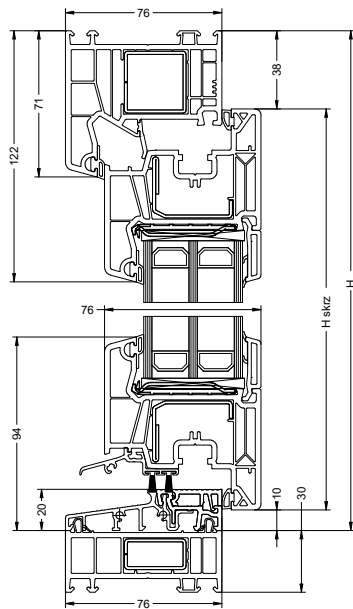


## Single-leaf tilt and turn PRIMO 76 window with a low threshold

As seen from the inside



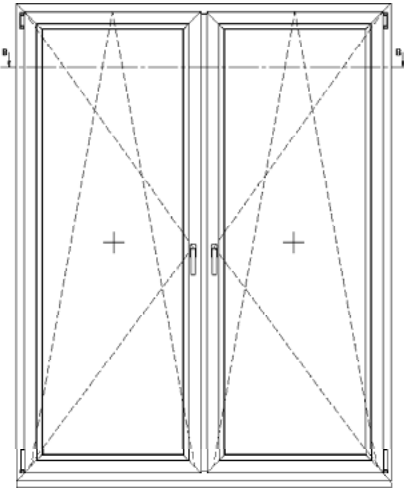
Vertical cross-section



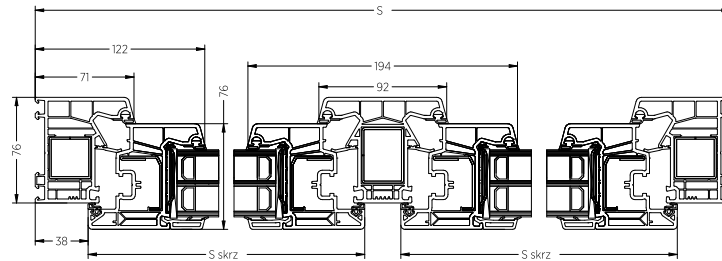


### Double-leaf PRIMO 76 window with a fixed post

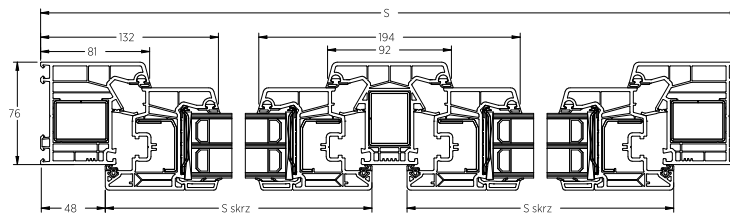
As seen from the inside



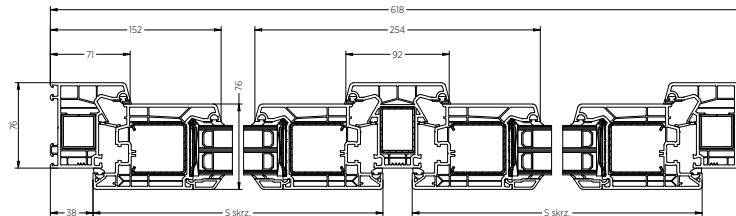
Horizontal cross-section, window leaf, standard post



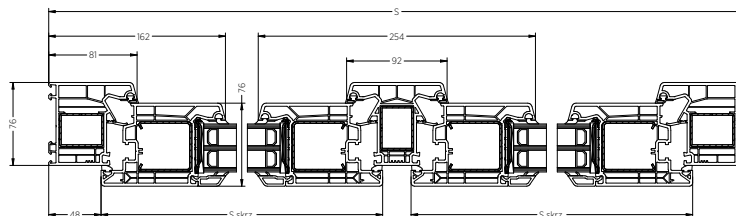
Horizontal cross-section, tall frame, window leaf, standard post



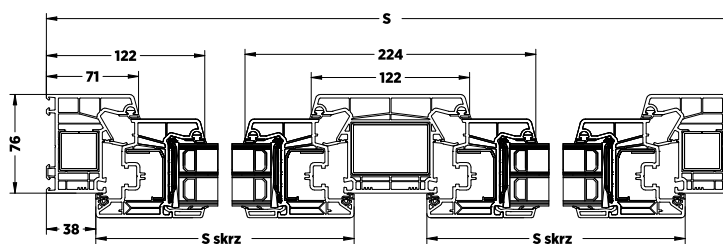
Horizontal cross-section, wide leaf, standard post



Horizontal cross-section, tall frame, wide leaf, standard post

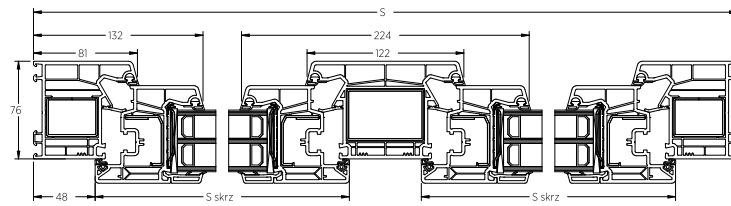


Horizontal cross-section, window leaf, wide post

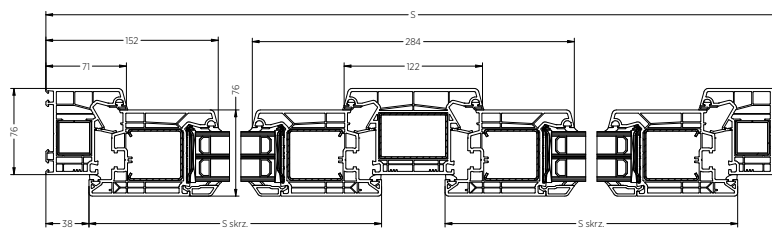




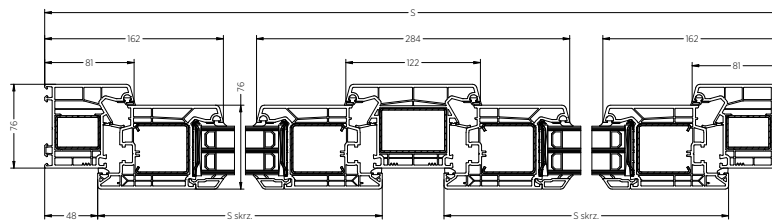
Horizontal cross-section, tall frame, window leaf, wide post



Horizontal cross-section, wide leaf, wide post

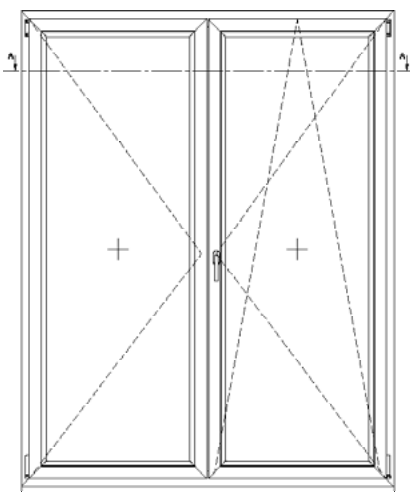


Horizontal cross-section, tall frame, wide leaf, wide post

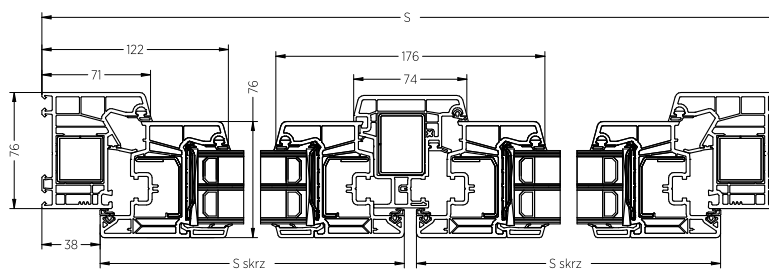


### Double-leaf PRIMO 76 window with a moving post

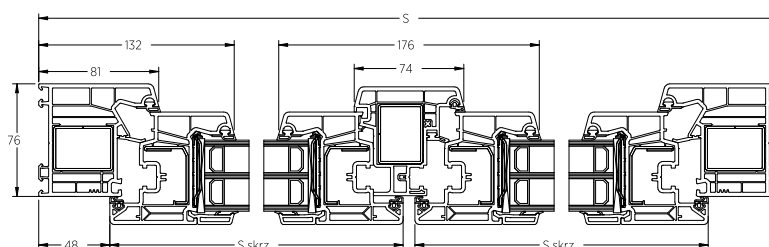
As seen from the inside



Horizontal cross-section



Horizontal cross-section, tall frame





# PRIMO PSK-76,

## PARALLEL SLIDING DOOR

Available in the PSK-S, PSK-Z, and PSK-PAS versions. The running system track is installed in the bottom section of the opening frame, which makes it visible to the user. The carriages are installed on the inner side of the sliding leaf.

**PSK-S STANDARD VERSION** – manually operated, parallel tilt and slide door without motor support.

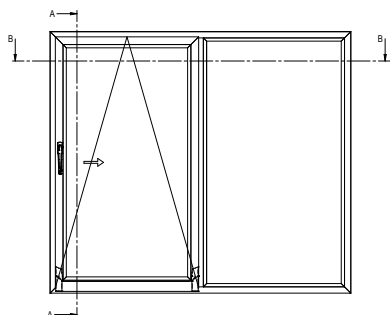
**PSK-Z AUTOMATIC VERSION** – automated, parallel tilt and slide door. This system features an additional control function “in the handle,” which makes it easier to tilt, slide, and close even very heavy leaves, and the integrated catch system enables easy transition between the sliding and tilting position.

**PSK-PAS PARALLEL-STOP-SLIDE VERSION** – the PSK-PAS system enables three functions: sliding, latching, and gap ventilation – parallel action gap up to 6 [mm] from the frame. The built-in damper stores energy and allows the sliding door to be easily closed shut.



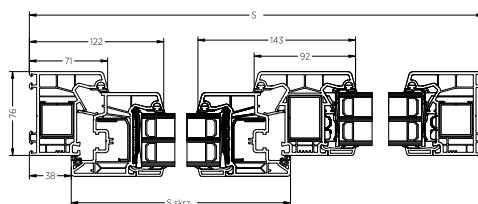
## PRIMO 76 patio window – PSK fix in the frame – Scheme A

As seen from the inside

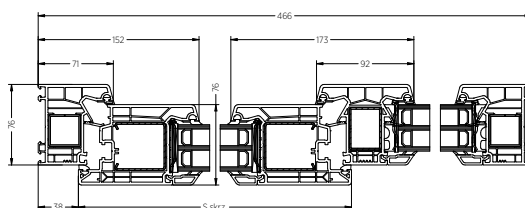


Horizontal cross-section

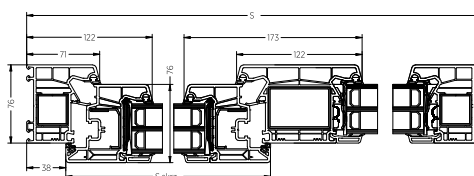
Window leaf, standard post



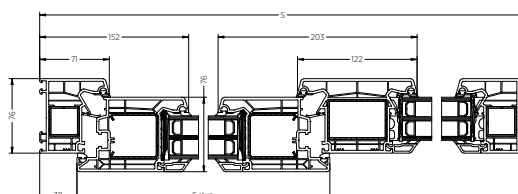
Wide leaf, standard post



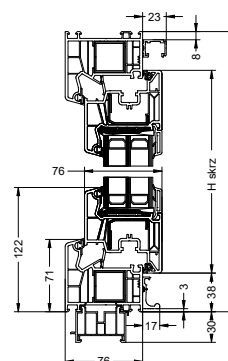
Window leaf, wide post



Wide leaf, wide post



Vertical cross-section



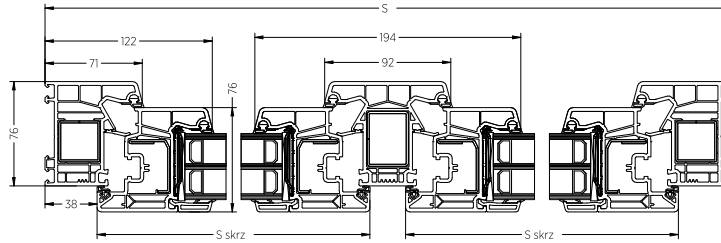
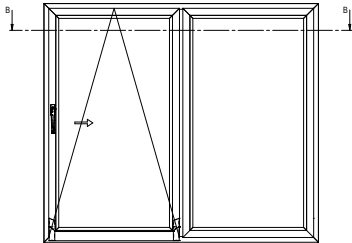


## PRIMO 76 patio window – PSK fix in the leaf – Scheme A

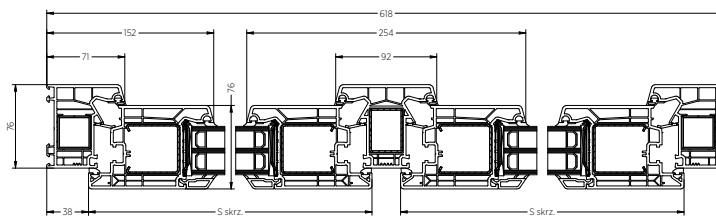
As seen from the inside

Horizontal cross-section

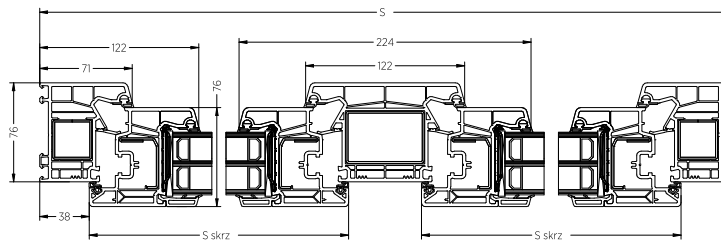
Window leaf, standard post



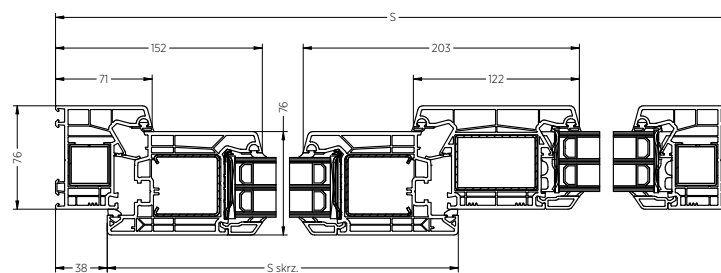
Wide leaf, standard post



Window leaf, wide post



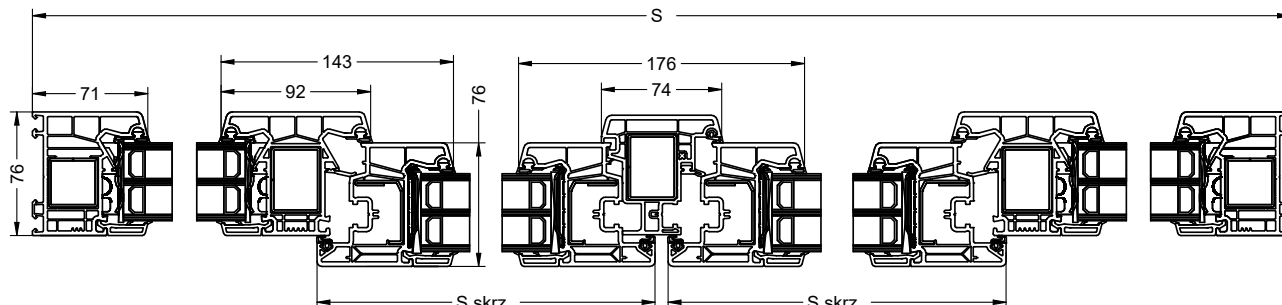
Wide leaf, wide post



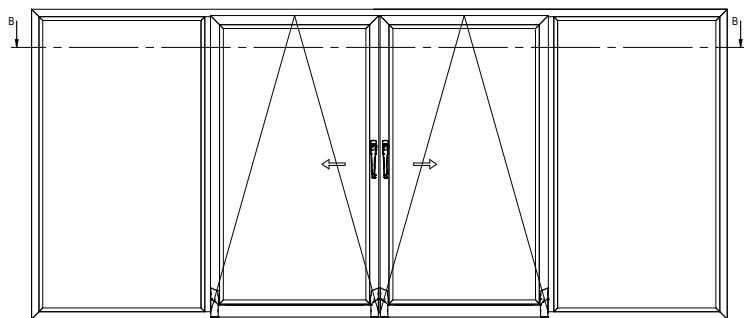


### PRIMO 76 patio window - PSK fix in the frame - Scheme C

Horizontal cross-section

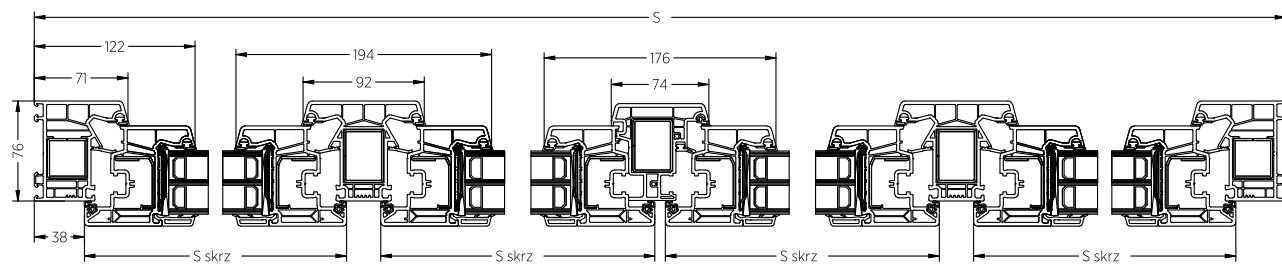


As seen from the inside

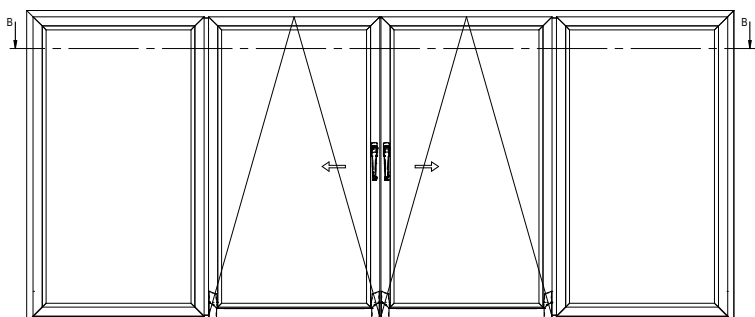


### PRIMO 76 patio window - PSK fix in the leaf - Scheme C

Horizontal cross-section



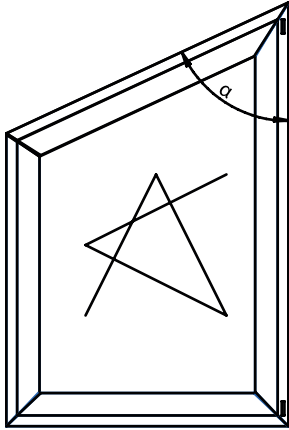
As seen from the inside





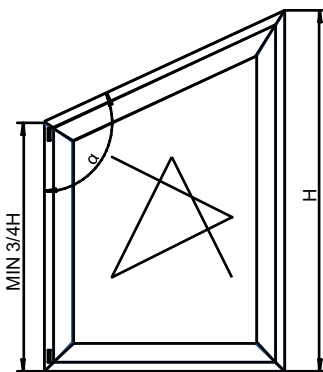
## NON-STANDARD SHAPES

For technological reasons, non-standard shaped windows are not manufactured using the V-Perfect technology. Arched windows are not available with the Spectral film coatings.



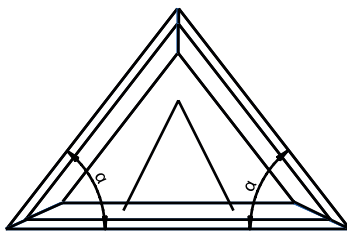
Minimum permissible angle $\alpha$ LEAF R, RU	65°
Minimum permissible angle $\alpha$ , with a groove milled in the frame, LEAF R, RU	55°
Minimum permissible angle $\alpha$ for welding profiles FIXED FRAME	30°
Minimum permissible angle $\alpha$ for welding profiles FIXED LEAF	40°

Minimum length of the welded sections of the frame/leaf for non-standard shape windows: 250 [mm]



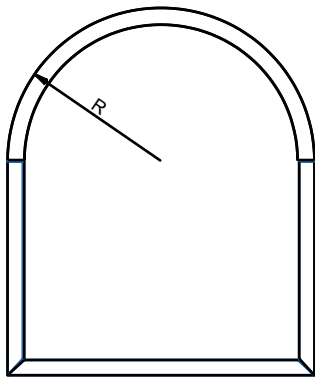
The minimum height of the shorter side is $\frac{3}{4} H$ of the total window height	
Minimum permissible angle $\alpha$ LEAF R, RU	140°

Minimum length of the welded sections of the frame/leaf for non-standard shape windows: 250 [mm]



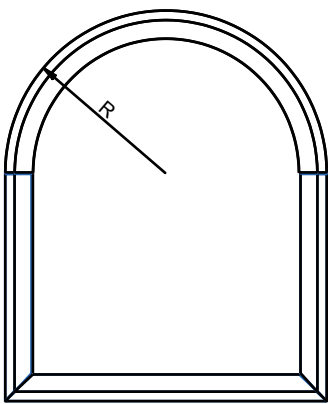
Minimum permissible angle $\alpha$ LEAF U	65°
Minimum permissible angle $\alpha$ , with a groove milled in the frame, LEAF U	55°
Minimum permissible angle $\alpha$ for welding profiles FIXED FRAME	30°
Minimum permissible angle $\alpha$ for welding profiles FIXED LEAF	40°

Minimum length of the welded sections of the frame/leaf for non-standard shape windows: 250 [mm]



	Fixed frame
Minimum R for a semi-full arch	460 [mm]
Maximum R for a semi-full arch	1,400 [mm]

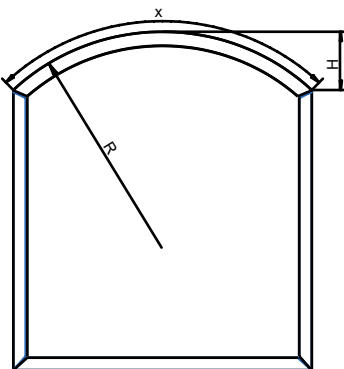
Minimum length of the welded sections of the frame/leaf for non-standard shape windows: 250 [mm]



	FRAME + LEAF 103.381
Minimum R for a semi-full arch	500 [mm]
Maximum R for a semi-full arch	1,400 [mm]

	FRAME + LEAF 103.385
Minimum R for a semi-full arch	650 [mm]
Maximum R for a semi-full arch	1,400 [mm]

Minimum length of the welded sections of the frame/leaf for non-standard shape windows: 250 [mm]

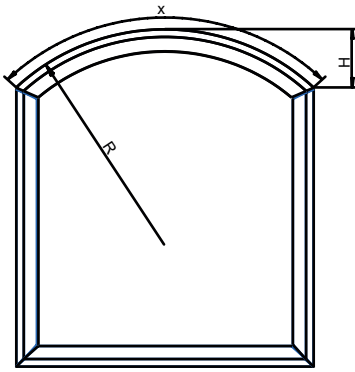


	Fixed frame
Minimum R for a section arch	460 [mm]
Maximum R for a section arch	2,900 [mm]

Maximum height H for a section arch	1,400 [mm]
Maximum length x for a section arch	3,800 [mm]

Minimum length of the welded sections of the frame/leaf for non-standard shape windows: 250 [mm]



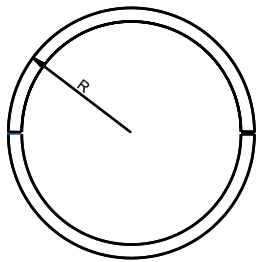


	FRAME + LEAF 103.381
Minimum R for a section arch	500 [mm]
Maximum R for a section arch	2,900 [mm]

	FRAME + LEAF 103.385
Minimum R for a section arch	650 [mm]
Maximum R for a section arch	2,900 [mm]

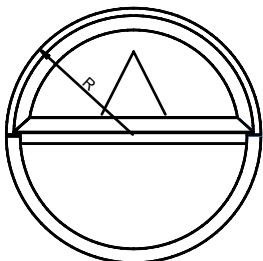
Maximum height H for a section arch	1,400 [mm]
Maximum length x for a section arch	3,800 [mm]

Minimum length of the welded sections of the frame/leaf for non-standard shape windows: 250 [mm]

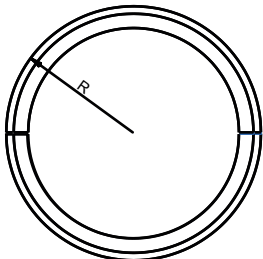


	Fixed frame
Minimum R for an arch	460 [mm]
Maximum R for an arch	1,400 [mm]

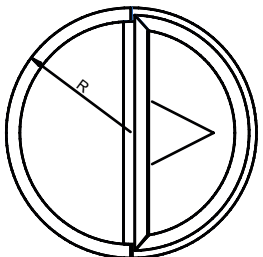
Minimum length of the welded sections of the frame/leaf for non-standard shape windows: 250 [mm]



	FRAME + LEAF 103.381
Minimum R for an arch is	500 [mm]
Maximum R for an arch is	1,400 [mm]



	FRAME + LEAF 103.385
Minimum R for an arch is	650 [mm]
Maximum R for an arch is	1,400 [mm]



Minimum length of the welded sections of the frame/leaf for non-standard shape windows: 250 [mm]



## SYSTEM LIMITATIONS

### Structural limitations for the PRIMO 76 windows

#### Maximum leaf dimensions

		Windows/balconies, single- and multi-leaf R, RU with a fixed post		Double-leaf windows/balconies with a moving post		Tilt-only (hopper/awning) windows	
		White	Colour	White	Colour	White	Colour
Maximum surface area of the leaf	STANDARD leaf 103.381	2.25 [m <sup>2</sup> ]*				2.25 [m <sup>2</sup> ]	
	WIDE leaf 103.385	2.5 [m <sup>2</sup> ]				Not available	
Maximum width of the leaf	STANDARD leaf 103.381	1,424 [mm]		1,408 [mm]		2,400 [mm]	
	WIDE leaf 103.385	1,524 [mm]	1,424 [mm]	1,108 [mm]	1,058 [mm]	Not available	
Maximum height of the leaf	STANDARD leaf 103.381	2,424 [mm]		window: 1,924 [mm] balcony: 2,424 [mm]		1,400 [mm]	
	WIDE leaf 103.385	2,424 [mm]				Not available	
Maximum total weight of the leaf with a glass and MultiMatic hardware	STANDARD leaf 103.381	120 [kg]				80 [kg]	
	WIDE leaf 103.385					Not available	
Leaf width to height ratio		< 1.6				-	

#### Minimum leaf dimensions

		Leaf R and RU		Leaf U	
		Width	Height	Width	Height
Minimum dimension	STANDARD leaf 103.381	330 [mm]	480 [mm]	340 [mm]	330 [mm]
		480 [mm]	400 [mm]		

#### Maximum frame dimensions

	White	Colour
Maximum surface area of the window structure in a single frame	8.00 [m <sup>2</sup> ]	
Maximum width of the structure	4,200 [mm]	4,000 [mm]
Maximum height of the structure	4,200 [mm]	4,000 [mm]
Maximum weight of the glass	300 [kg]	

#### Minimum frame dimensions

Minimum width of the frame	330 [mm]
Minimum height of the frame	330 [mm]

\* The permissible dimensions of the window leaf can be increased with the use of a special glass inseting technology



## Structural limitations for the patio door

### Maximum PSK dimensions

	PSK scheme A		PSK scheme C Variant		PSK scheme C	
	Division					
	symmetrical	asymmetrical *	symmetrical	asymmetrical *	symmetrical	asymmetrical *
Maximum surface area of the window	8.00 [m <sup>2</sup> ]		9.6 [m <sup>2</sup> ]			
Maximum width of the window	3,300 [mm]	4,000 [mm] *	4,000 [mm]			
Maximum height of the window	2,476 [mm]					
Maximum width of the leaf	STANDARD leaf 103.381	1,540 [mm]				
	WIDE leaf 103.385	1,760 [mm]			1,210 [mm]	
Maximum height of the leaf	2,400 [mm]					
Maximum surface area of the leaf	STANDARD leaf 103.381	2.5 [m <sup>2</sup> ]			2.25 [m <sup>2</sup> ]	
	WIDE leaf 103.385	3.8 [m <sup>2</sup> ]			2.5 [m <sup>2</sup> ]	
Leaf height to width ratio	< 2.5					

\* made on request

### Minimum PSK dimensions

	MANUAL PSK-S	PAS	AUTOMATED PSK-Z
Minimum width of the leaf	660 [mm]	790 [mm]	760 [mm]
Minimum height of the leaf	1,040 [mm]	881 [mm]	940 [mm]

## HARDWARE TYPES AND RANGES OF APPLICATION

Hardware type	Leaf weight	Leaf surface
Maco Multi-Matic STANDARD frame and leaf hinge	≤ 100 kg	2.4 [m <sup>2</sup> ]
Maco Multi-Matic with a low threshold frame and leaf hinge with roller cams	≤ 110 kg	3.0 [m <sup>2</sup> ]
Maco Multi-Matic frame and leaf hinge with roller cams	≤ 120 kg	3.0 [m <sup>2</sup> ]
Maco Multi-Power	≤ 150 kg	3.0 [m <sup>2</sup> ]
Maco Multi-Power with a low threshold	≤ 110 kg	3.0 [m <sup>2</sup> ]
Maco Multi-Mammut	≤ 180 kg	3.6 [m <sup>2</sup> ]



**Minimum and maximum window dimensions by burglary protection class, and maximum weight**

Window type	Min. width of the leaf	Max. width of the leaf	Min. height of the leaf	Max. height of the leaf	Weight
<b>RU SECURITY 1</b>	520	1,690	470	2,640	100kg
<b>U SECURITY 1</b>	510	2,290	390	1,140	80kg
<b>Moving post SECURITY 1</b>	520	1,340	701	2,640	100kg
<b>RU RC2,</b>	520	1,690	470	2,640	100 kg
<b>U RC2</b>	510	2,290	390	1,140	80 kg
<b>Moving post RC2</b>	520	1,340	701	2,640	100 kg

**WINDOW PROTECTION STANDARD, PSK**

Type of window/patio door	WINDOWS	WINDOWS	PSK	WINDOWS
<b>Protection type</b>	SECURITY 1	SECURITY 2		Anti-burglary class RC2 in accordance with PN-EN 1627
<b>ACCESSORIES</b>				
<b>Type and number of strikers</b>	- Minimum 4 anti-burglary strikers - Number of strikers depends on the leaf dimensions	- All anti-burglary strikers - Number of strikers depends on the leaf dimensions	- All anti-burglary strikers - Number of strikers depends on the leaf dimensions	- All anti-burglary strikers - Number of strikers depends on the leaf dimensions
<b>Anti-drill guard plate</b>	Yes	Yes	Yes	Yes
<b>Handle</b>	Any	Any	Any	With a key 100 Nm
<b>Installation</b>	Anchors or dowels	Anchors or dowels	Anchors or dowels	dowels
<b>Glass units</b>	Any	Any	Any	At least one pane with the P4A resistance class in accordance with EN 356 in the glass unit
<b>Glass mounting</b>	Not required	Not required	Not required	Required along the circumference of the leaf

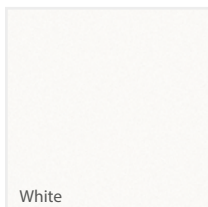


## COLOURS

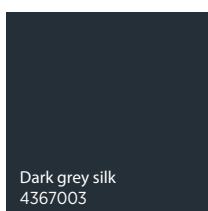
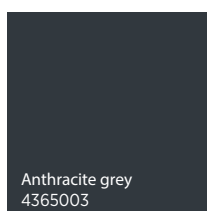
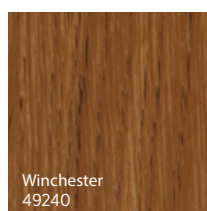
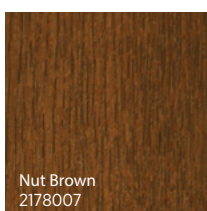
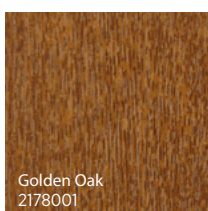
### Available colours for PVC windows:

white, single-side film coating, double-side film coating.

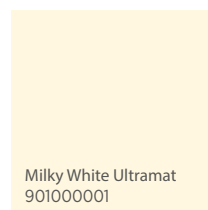
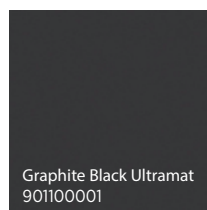
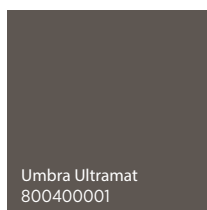
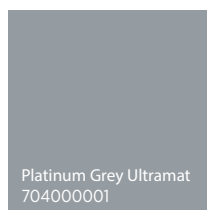
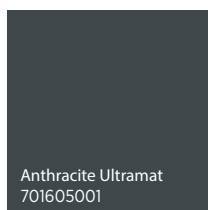
### Standard colours



### Film coatings – standard colours



### VEKA SPECTRAL dedicated for PRIMO 76 windows – special colours





### Film coatings - special colours

 <p>Chocolate Brown 887505</p>	 <p>Siena Rosso 49233</p>	 <p>Siena Noce 49237</p>	 <p>Douglas Fir V 3069037</p>	 <p>Douglas Fir 3152009</p>	 <p>Mountain Pine 3069041</p>
 <p>Oregon III 2115008</p>	 <p>Natural Oak 3118076</p>	 <p>Rustic Oak V 3156003</p>	 <p>Shogun AC 49197</p>	 <p>Shogun AD 49195</p>	 <p>Shogun AF 49198</p>
 <p>Macore 3162002</p>	 <p>Rosewood 3202002</p>	 <p>White 915205</p>	 <p>Papyrus White 901805</p>	 <p>Cream White 137905</p>	 <p>Ivory 101505</p>
 <p>Yellow 108705</p>	 <p>Light Grey 725105</p>	 <p>Agate Grey 703805</p>	 <p>Silver Grey 715505</p>	 <p>Smooth Silver Grey 715505083</p>	 <p>Basalt Grey 701205</p>
 <p>Smooth Basalt Grey 701205083</p>	 <p>Slate Grey 701505</p>	 <p>Smooth Slate Grey 701505083</p>	 <p>Quartz Grey 703905</p>	 <p>Brilliant Blue 500705</p>	 <p>Cobalt Blue 501305</p>
 <p>Steel Blue 515005</p>	 <p>Monument Blue 500405</p>	 <p>Emerald Green 611005</p>	 <p>Green 600505</p>	 <p>Dark Green 612505</p>	 <p>Monument Green 992505</p>
 <p>Carmine Red 305405</p>	 <p>Ruby Red 300305</p>	 <p>Dark Red 308105</p>	 <p>Wine Red 300505</p>	 <p>Brown Black 851805</p>	



 <p>Metbrush Aluminium 4361001</p>	 <p>Metbrush Silver 4361002</p>	 <p>Crown Platinum 1293001</p>	 <p>Quartz Platinum 1293002</p>	 <p>Earl Platinum 1293010</p>	 <p>Sheffield Oak Light 4563081</p>
 <p>Anthracite Quartz F4361014</p>	 <p>Black Ulti-Mat 47097</p>	 <p>AnTeak 3241002-195</p>	 <p>Swamp Oak 3167004-167</p>	 <p>Summer Cherry 3214009-195</p>	 <p>Siena PL 49254</p>
 <p>Sheffield Oak Grey F436-3086</p>	 <p>Oregon 1192001-167</p>	 <p>Rustic Oak 3149008-167</p>	 <p>Black Cherry 3202001-167</p>	 <p>Sapeli (Mahogany) 2065021</p>	 <p>Dark Oak 2052089</p>
 <p><b>woodec</b> Woodec Turner Oak Malt F4703001</p>	 <p><b>woodec</b> Woodec Sheffield Oak Alpine F4703002</p>	 <p><b>woodec</b> Woodec Sheffield Oak Concrete F4703003</p>	 <p><b>woodec</b> Woodec Turner Oak Toffee CC F4703004</p>	 <p>Alux Aluminium Grey 4361016</p>	 <p>Anthracite Grey Mat F4706003</p>
 <p>Anthracite Quartz Mat F4701014</p>	 <p>Jet Black 4467062</p>	 <p>Smooth Quartz Grey 703905083</p>	 <p>Brushed Brass F4361007</p>		





### Accessory selection

No.	Film number	Name	Standard core	Gasket colour	Handle and cover colour	Balcony pull colour
1	2178001	GOLDEN OAK	caramel	caramel	F4	gold
2	2178007	NUT BROWN	brown	black	F4	ral 8019
3	2052089	SWAMP OAK	brown	black	F4	ral 8019
4	49240	WINCHESTER XA	caramel	caramel	F4	gold
5	2065021	MAHOGANY	brown	black	F4	ral 8019
6	4365003	ANTHRACITE GREY	anthracite	black	F1	ral 7016
7	887505	BROWN	brown	black	F4	ral 8019
8	715505	SILVER GREY	white	black	F1	silver
9	49237	SIENA PN NOCE	brown	black	F4	ral 8019
10	49233	SIENA PR ROSSO	caramel	caramel	F4	ral 8019
11	3162002	MACORE	brown	black	F4	ral 8019
12	137905	CREAM WHITE	white	black	RAL 9001	ral 9001
13	915205	WHITE	white	black	RAL9016	ral 9016
14	612505	DARK GREEN	white	black	F1	silver
15	701205	BASALT GREY	white	black	F1	silver
16	703905	QUARTZ GREY	white	black	F1	silver
17	3118076	Natural Oak	white	black	F4	gold
18	851805	BROWN BLACK	brown	black	F4	ral 9005
19	715505083	SMOOTH SILVER GREY	white	black	F1	silver
20	3152009	DOUGLAS FIR SHADED	caramel	caramel	F4	gold
21	600505	GREEN	white	black	F1	silver
22	3156003	RUSTIC OAK V	brown	black	F4	ral 8019
23	3149008	RUSTIC OAK	brown	black	F4	ral 8019
24	3069041	MOUNTAIN PINE	caramel	caramel	F4	gold
25	703805	AGATE GREY	white	black	F1	silver
26	4367003	DARK GREY SILK	anthracite	black	F1	ral 7016
27	4563081	LIGHT SHEFFIELD OAK	white	black	F1	ral 9001
28	2115008	OREGON III	white	black	F4	gold
29	1192001	OREGON	white	black	F4	gold
30	4361001	BRUSHED ALUMINIUM	white	black	F1	silver
31	300305	RUBY RED	white	black	F1	silver
32	300505	WINE RED	white	black	F1	silver
33	515005	STEEL BLUE	white	black	F1	silver
34	501305	COBALT BLUE	white	black	F1	silver
35	725105	LIGHT GREY	white	black	F1	silver
36	308105	DARK RED	white	black	F1	silver
37	500705	BRILLIANT BLUE	white	black	F1	silver
38	611005	EMERALD GREEN	white	black	F1	silver
39	901805	PAPYRUS WHITE	white	grey	F1	silver
40	3069037	DOUGLAS FIR	caramel	caramel	F4	gold
41	108705	YELLOW	white	black	F1	silver
42	305405	CARMINE RED	white	black	F1	silver
43	1293002	QUARTZ PLATINUM	white	black	F1	silver
44	1293001	CROWN PLATINUM	anthracite	black	F1	ral 7016
45	701205083	SMOOTH BASALT GREY	white	black	F1	silver





46	1293010	EARL PLATINUM	anthracite	black	F1	ral 7016
47	701505083	SMOOTH SLATE GREY	anthracite	black	F1	ral 7016
48	4361002	SILVER BRUSHED ALUMINIUM	white	black	F1	silver
49	701505	SLATE GREY	anthracite	black	F1	ral 7016
50	3202002	ROSEWOOD	brown	black	F4	ral 8019
51	101505	IVORY	white	black	F1	silver
52	49198	SHOGUN AF	caramel	caramel	F4	gold
53	49195	SHOGUN AD	caramel	caramel	F4	gold
54	49197	SHOGUN AC	caramel	caramel	F4	gold
55	992505	MONUMENT GREEN	white	black	F1	ral 9005
56	500405	MONUMENT BLUE	white	black	F1	ral 9005
57	701605001	VSP ANTHRACITE ULTRAMAT	grey	black	F1	ral 7016
58	800400001	VSP UMBRA ULTRAMAT	grey	black	F1	ral 9005
59	901100001	VSP Graphite Black Ultramat	brown	black	F1	ral 9005
60	901000001	VSP MILKY WHITE ULTRAMAT	white	black	RAL9016	ral 9016
61	704000001	VSP Platinum Grey Ultramat	anthracite	black	F1	silver
62	436-1014	quartz anthracite	anthracite	black	F1	anthracite
63	PX47097	Black Ulti-Mat	anthracite	black	F1	ral 9005
64	3241002-195	AnTEAK	brown	black	F1	ral 9001
65	3167004-167	swamp oak	brown	black	F4	ral 8019
66	3214009-195	summer cherry	brown	black	F4	ral 8019
67	49254-015	siena PL	caramel	caramel	F4	gold
68	F 436-3086	sheffield oak grey	brown	black	F1	ral 9001
69	3202001	Koltex Black Cherry	brown	black	F4	ral 8019
70	F 470-3001	Woodec Turner Oak Malt	caramel	caramel	F4	caramel
71	F 470-3002	Woodec Sheffield Oak Alpine	white	black	F1	silver
72	F 470-3003	Woodec Sheffield Oak Concrete	white	black	F1	silver
73	F 470-3004	Woodec Turner Oak Toffee	brown	black	F4	ral 8019
74	4361016	Alux Aluminium Grey	white	black	F1	silver
75	4361007	Brushed Brass	white	black	F4	gold
76	4467062	Jet Black	anthracite	black	F1	ral 9005
77	703905083	Smooth Quartz Grey	white	black	F1	silver
78	F470-6003	Anthracite Grey Mat	anthracite	black	F1	ral 7016
79	F470-1014	Anthracite Quartz Mat	anthracite	black	F1	ral 7016

## OPTIONAL ACCESSORIES

### Concealed MULTI POWER hinges



Completely hidden hardware. The concealed hinge option is available both with the low threshold and with anti-burglary windows with a maximum burglary resistance class RC2.

#### Benefits for the customer:

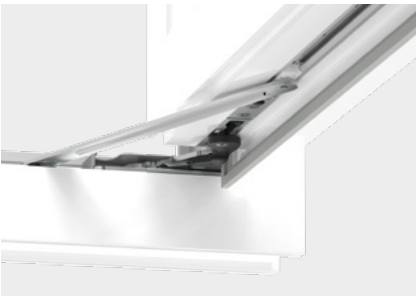
- additional hinge cover caps
- large opening width (up to 100°);
- integrated protection against lifting the leaf;
- minimal maintenance thanks to enhanced guides in the scissor stay;
- appealing look;
- dedicated for windows with the maximum leaf weight of 150 kg.

### TILT-FIRST – tilting before turning



This solution is aimed at locking the leaf in the tilted position after rotating the handle by 90 degrees to the horizontal position, which prevents the leaf from moving from the tilted to the open position. Only after the handle is unlocked with a key can the window be opened. This solution provides safety for children and at the same time makes it possible to ventilate the room with the window tilted.

### Opening restriction



Prevents excessive opening of the leaf and thereby prevents the leaf from hitting the reveal. Opening restriction can be used both with surface and concealed MultiPower hinges. Cannot be used with a window version with the SECURITY enhanced burglary resistance class.

### Turn restrictor controlled with a handle



Prevents self-acting opening and closing movement of the leaf. The turn restrictor can be used both in the R and RU version, as well as with concealed and surface hinges.

This turn restrictor version cannot be used:

- with a low threshold,
- with RC and SECURITY classes,
- with the UR option (tilt before turn).



### Brake stay



Fixes the opening angle of the leaf in the desired position. The brake stay can only be used in the R window version, but it cannot be used with a low threshold and with the RC and SECURITY enhanced burglary resistance class window versions.

### SAFETY PIN



Safety Pin secures each turn-only (side-hung) and turn and tilt window against leaf unHINGING from the frame caused by mishandling. Located on the hinge side, the security device is integrated with the central turn and tilt locking system. The spring-loaded steel wire prevents the window leaf from falling out of the frame and effectively prevents potential accidents.

The device is recommended for windows in residential buildings, as well as in children's rooms and nursing homes; these devices should be considered standard accessories in public buildings.

### Comfort scissor stay



Problem-free operation of the window, primarily when windows are difficult to access, thanks to the handle in the bottom part of the window leaf.

The comfort scissor stay can only be used in the RU window version, it cannot be used with concealed hinges.

#### Benefits for the customer:

- The window tilts and closes automatically with the use of a handle.
- Meets the requirements of elderly and disabled persons.
- Enables operation of windows which are difficult to access.
- Optional electric assistance.

### Contact



Surface-mounted, wired



Somfy, surface-mounted, wireless



Flush-mounted, wired

Windows can optionally be fitted with an electronic closure monitoring system. Window contacts are connected to the monitoring system which triggers an alarm when the handle is rotated or the hardware is moved in any other way. The sensors operate regardless of whether the leaf was opened to the tilted or turned position. Available in a wired version: surface-mounted, flush-mounted, and wireless Somfy.

## Balcony door catch with a pull



Balcony door catch with a pull



Balcony door catch with a pull for a roller shutter

Balcony door catch with an aluminium pull increases the functionality of balcony doors, making it possible to close them from the outside. A pull for windows with external roller shutters is available as an optional accessory.

## Hardware with the SECURITY and RC2 burglary protection class



Windows with the Security 1, Security 2, and RC2 class are available with single-section and multi section models:

- turn and tilt (RU)
- tilt-only (hopper/awning) (U)
- with a moving post (RS)
- with a FIX in the frame (FIX-R)
- with a FIX in the leaf (FIX-S)

The Security / RC2 options are not available with side hung windows (R).

With the RC2 burglar resistance class, there are several anchor fitting options available in the following scenarios:

- single-section model FIX-R / FIX-S,
- multi-section model, where at least one section is a FIX-R / FIX-S.

With the RC2 burglar resistance class, there are several anchor/dowel fitting options available in the following scenarios:

- single-section model: turn and tilt (RU), tilt-only (U),
- model with a moving post (RS),
- multi-section model, where all the sections can be opened (RU, U, RS).

Optional accessories, which can be ordered with the SECURITY 1 and SECURITY 2, as well as RC2 burglar resistance class windows:

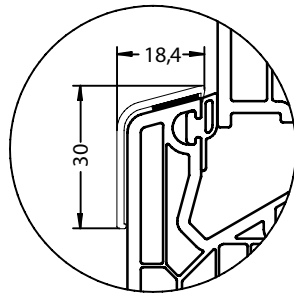
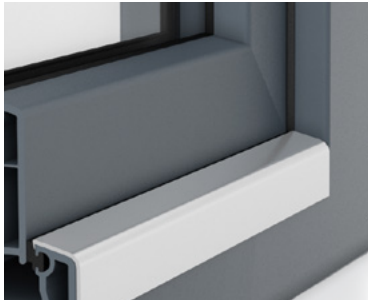
- balcony catch,
- surface hinges (MultiMatic, MultiMammut), concealed hinges (MultiPower),
- wired and wireless window contact,
- SafetyPin.

Other optional accessories are not available with the SECURITY 1, SECURITY 2, as well as RC2 burglar resistance class windows.

The PSK tilt and slide patio door with the Security 2 class is available in the standard PSK-S version and the PSK-PAS stop-slide version in scheme A



### Aluminium balcony threshold cover



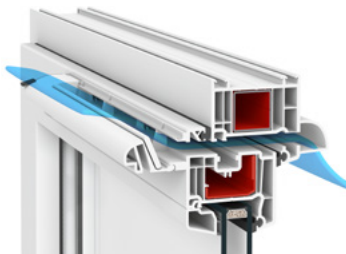
The aluminium threshold cover serves a protective function and prevents damage and scuffing of the lower part of the frame, it is especially recommended for balcony or patio exits.

### MultiMammut hinges



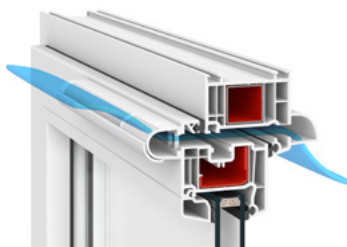
Hinges for leaves with a weight up to 180 kg for large size window models up to 3.6 m<sup>2</sup>.

### Air inlets



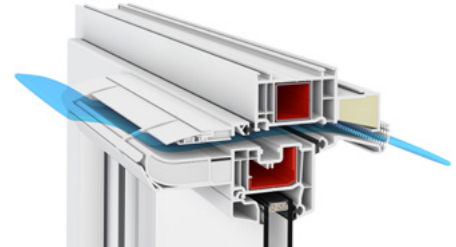
#### Aereco EMM humidity sensitive air inlet

Available colours: RAL 9003, RAL 8017, RAL 8001, RAL 7045, RAL 7016



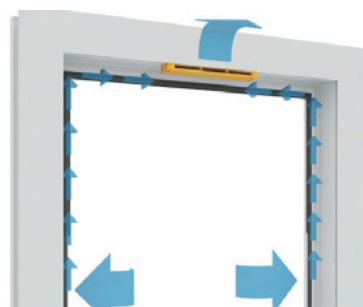
#### Aereco AMO pressure sensitive air inlet

Available colours: RAL 9003, RAL 8017, RAL 8001, RAL 7016



#### Aereco EXR 409 humidity sensitive air inlet

Available colours: RAL 9003, RAL 8017, RAL 8001, RAL 7045, RAL 7016



#### REGEL AIR air inlet

Available colours: RAL 9003 black and grey gasket, 9005 black gasket

Parameter	[Pa]	Regel-air
Air flow at:	2	3.0 m <sup>3</sup> /h
	4	3.7 m <sup>3</sup> /h
	8	5.0 m <sup>3</sup> /h
	10	5.6 m <sup>3</sup> /h
	20	4.2 m <sup>3</sup> /h



Parameter	Unit	AMO.103 kit AMO pressure sensitive air inlet Standard AB canopy	EMM.707 kit EMM humidity sensitive air inlet Standard AB canopy	EXR.409 kit EXR humidity sensitive air inlet AQ acoustic canopy			
		Value					
Air flow	[m <sup>3</sup> /h]	Rated	24.5	Rated	23.5	Rated	26.2
		Minimum	5.9	Minimum	6.9	Minimum	7
Resistance to rainwater infiltration after installation in a window in a zone without rain cover	[Pa]	300		300		300	
Acoustic attenuation D <sub>n</sub> (C; C <sub>tr</sub> )	[dB]	Air inlet open	32 (-1; 1)	Air inlet open	32 (-1; 0)	Air inlet open	40 (0; 0)
		Air inlet closed	33 (0; 0)	Air inlet closed	34 (0; 0)	Air inlet closed	41 (-1; -1)

### Glazing bars

If inner glazing bars are used, silicone discs are not provided at the glazing bar intersection. The following bars are available for the PVC window range:

- INNER glazing bars (colour on both sides)
- INNER glazing bars (colour on one side)

The “glazing bar ringing” effect can occur, which is caused by normal vibrations of the aluminium glazing bar rod during opening and closing, or even by wind gusts outside.

### Glazing bar types and colours

Glazing bar type		Colours	Restrictions
<b>INNER (colour on both sides)</b>	Inner glazing bar 8 [mm]	White 9010	The maximum length of an inner glazing bar without support = 700 [mm]
		Golden	
	Inner glazing bar 18 [mm] and 26 [mm]	White 9010	
		Golden	
		Nut Brown	
		Dark Oak	
		Golden Oak	
		Mahogany	
	Inner glazing bar 45 [mm]	Other colours available in the profile range	
		White 9010	
<b>INNER (colour on one side)</b>	Inner glazing bar 18 [mm] and 26 [mm]	Golden Oak	
		White / Walnut	
		White / Dark Oak	
		White / Golden Oak	
		White / Mahogany	
		White / 8014	
		White / 8017	
		White / 8022	
Other colours available in the profile range			



## Glass panes

When using glass 4 [mm] thick – the maximum side length can be 2,440 [mm] (maximum side ratio 1:8), maximum surface area up to 3.35 [m<sup>2</sup>].

The above standard dimensional limitations apply only to clear glazing units installed vertically in locations where increased wind loads do not occur.

The limitations do not take into account the effect of coatings reflecting heat on the increase of the temperature inside the glass units and the effect of the changes in atmospheric pressure resulting from fitting in mountainous areas.

The permissible glass sizes do not take into account the customer's detailed requirements regarding safety, wind load, etc.

When using varying thickness of glass in the glazing unit, the maximum surface is determined for the thinner glass.

## Warm edge

Available in the following colours for the PVC range:

Light Grey 7035, Grey 7040, Black 9005, Light Brown 8003, Brown 8016, White 9016

## Window handles

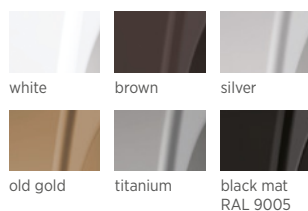
PVC windows are fitted with BASIC handles as standard.

### BASIC



#### BASIC

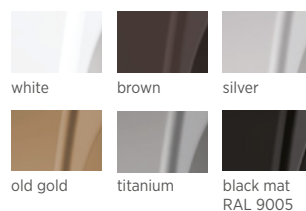
available colours:



#### BASIC K

with a key lock

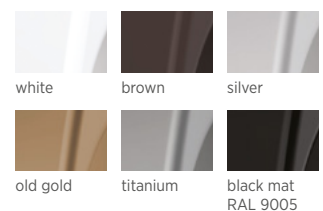
available colours:



#### BASIC P

with a locking button

available colours:

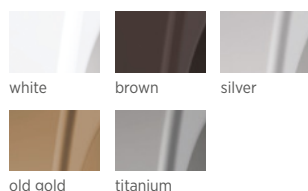


Optionally, PVC windows can be fitted with the following handles:



#### ROUND

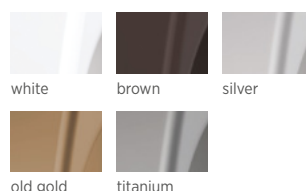
available colours:



#### ROUND K

with a key lock

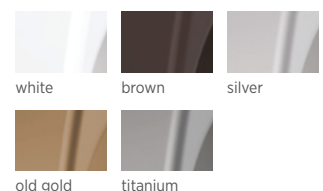
available colours:



#### ROUND P

with a locking button

available colours:

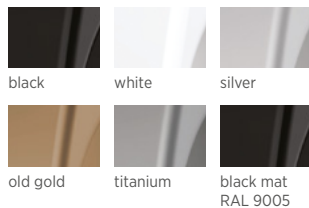






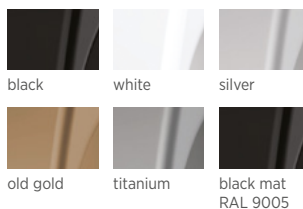
**CUBE**

available colours:



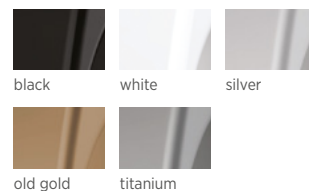
**CUBE K**  
with a key lock

available colours:



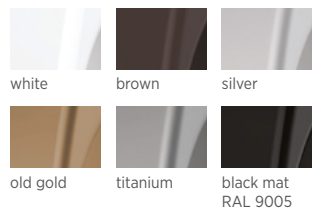
**CUBE P**  
with a locking button

available colours:



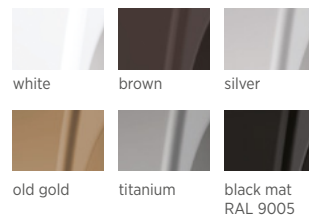
**BASIC double-sided balcony**

available colours:



**BASIC double-sided flat for roller shutter**

available colours:

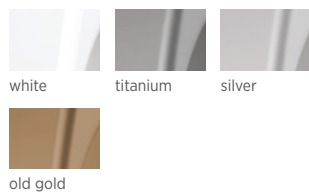


**Hoppe**



**Hoppe Hamburg SecuForte**

available colours:

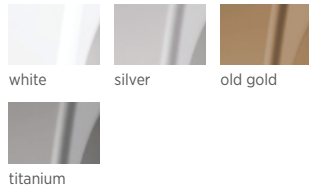






**Atlanta**

available colours:



**Atlanta**  
with a key lock

available colours:

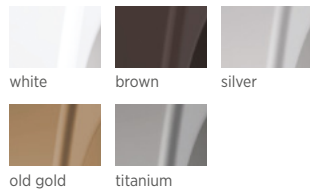


**Handles for the PSK patio door**



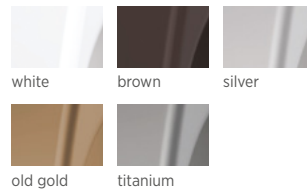
**PSK-Z**

available colours:



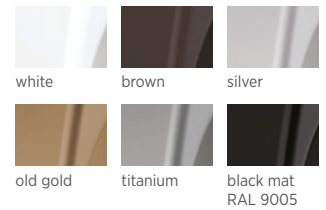
**PSK-Z** with a key lock

available colours:



**PSK-S**  
**and PSK-PAS**

available colours:

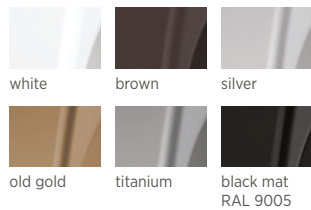


**Old gold\*** - colour with a darker hue than other handle models



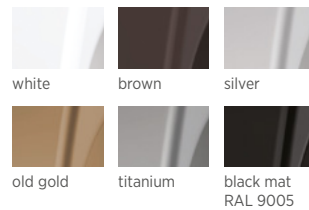
**PSK-S and PSK-PAS handle**  
with a key lock

available colours:



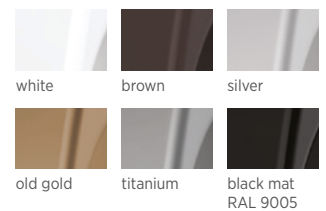
**PSK-S and PSK Pas dou-**  
**ble-sided handle**

available colours:



**PSK-S and PSK Pas dou-**  
**ble-sided handle for roller**  
**shutter**

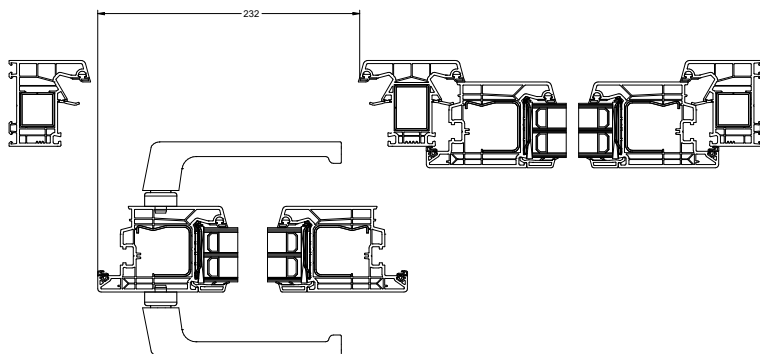
available colours:



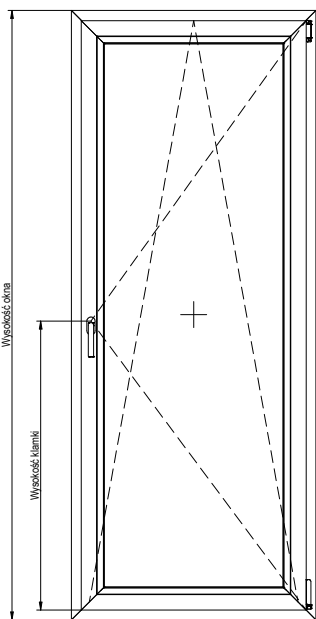
## Clear passage

### Clear opening with a double-sided handle – PSK

In the case of a double-sided handle in the PSK with fixed glazing in the frame, we use a double-sided handle for the roller shutter and the leaf is moved fully behind the fixed glazing. However, in the case of the PSK with fixed glazing in the leaf, we use a “standard” handle and at the same time, the leaf bumper is positioned so that it decreases the clear opening passage by 232 mm.



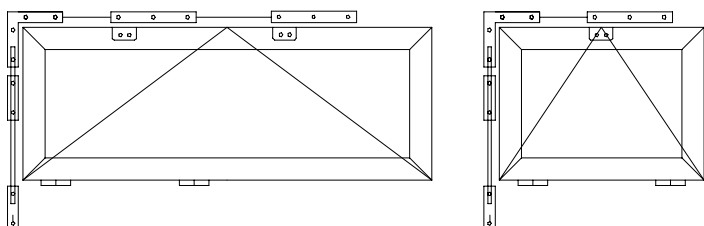
## Handle heights



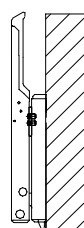
Handle height [mm]	Range of application/ height in the hardware groove		Range of application/ leaf height in the window	
	MIN. [mm]	MAX. [mm]	MIN. [mm]	MAX. [mm]
<b>145</b>	360	430	400	470
<b>210</b>	431	660	471	700
<b>320</b>	661	840	701	880
<b>420</b>	841	1,090	881	1,130
<b>520</b>	1,091	1,340	1,131	1,380
<b>620</b>	1,341	1,590	1,381	1,630
<b>720</b>	1,591	1,700	1,631	1,740
<b>1,070</b>	1,701	1,950	1,741	1,990
<b>1,070</b>	1,951	2,200	1,991	2,240
<b>1,070</b>	2,201	2,450	2,241	2,490

## GEZE OL90 toplight opener

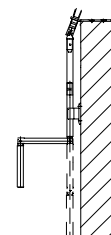
Tilt-only (hopper/awning) windows



Methods of window opening with the GEZE OL90 hardware



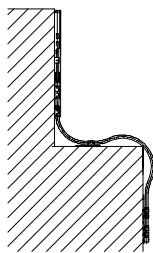
Lever



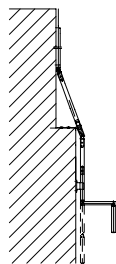
Crank



### Method of drive transmission with the GEZE OL90



Flexible transmission



Articulated joint transmission

#### With the use of:

- manual lever,
- Fz91 gear unit installed under the elastic cable.

#### With the use of:

- crank mechanism.

### Product features

- Full opening width = 170 mm for all leaf heights,
- Adjustable opening width,
- Total leaf weight up to 80 kg,
- Min. height of the leaf 250 mm,
- Max. width of the leaf 380 mm,
- Max. width of the leaf 3,600 mm with three scissor stays,
- Little space requirement due to flat scissor stay structure,
- Release inhibitor, lockable manual lever, and scissor stays ensure added security,
- Scissor stays can be disengaged with a release button for easy window cleaning inside and outside,
- Fully pre-installed mounting groups for easier fitting,

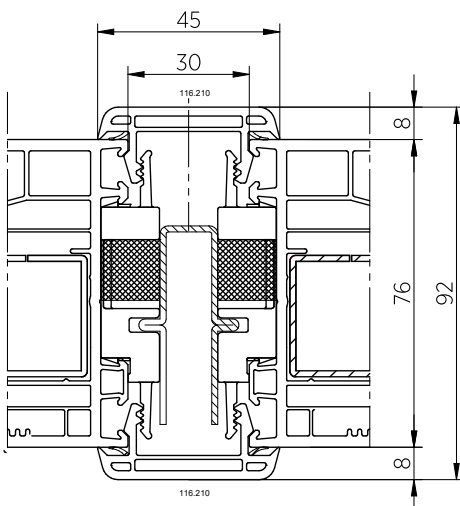
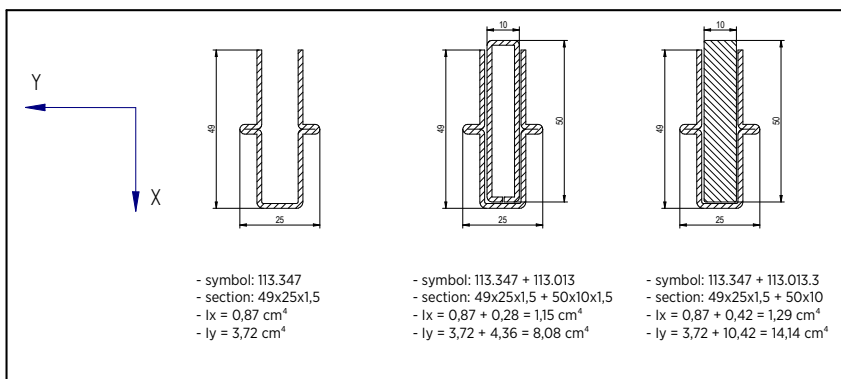
### Areas of application

- Convenient everyday ventilation of rooms and staircases,
- Inswing windows,
- Can be used in non-standard structures, i.e. arched, triangular, round, and segment windows,
- Connecting and operating several windows with an angular drive transmission.

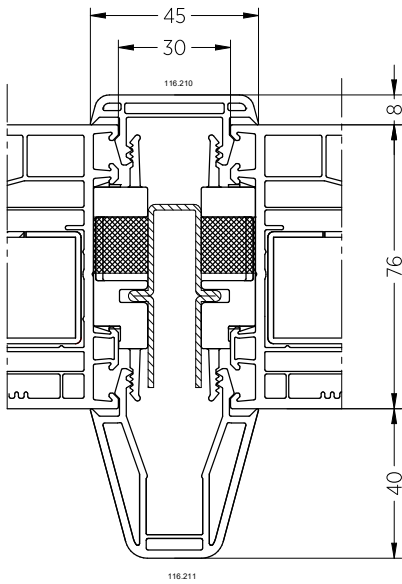
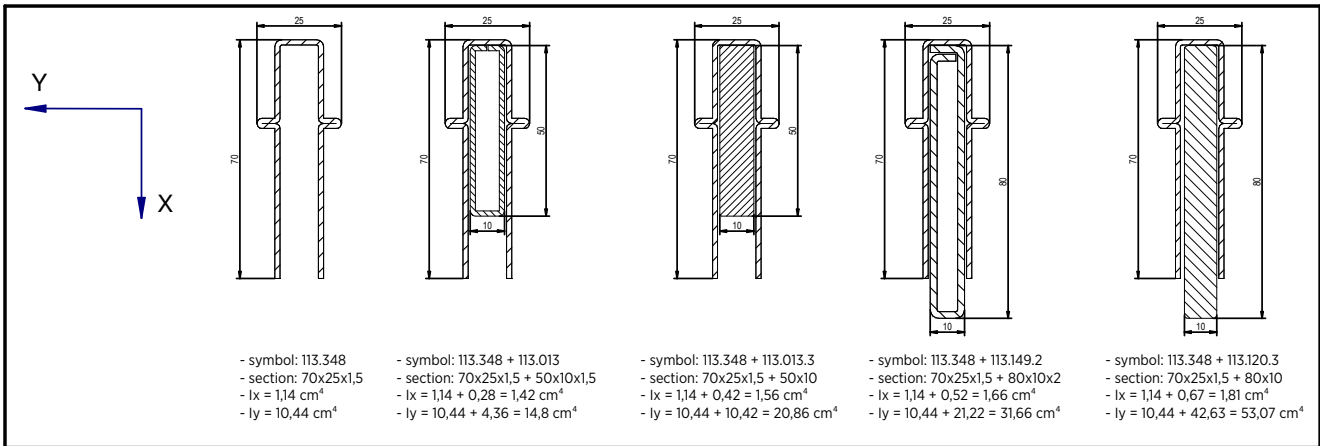
## Tape selection

System	Profile type	Gap size	Selected expansion tape	Type of screw used for connection
SL 76	116.210+116.210	14.5	*Pinta 15/4-20	-
	116.210+116.211	14.5	*Pinta 15/4-20	-
	116.216	6.7	*Pinta 10/4-20	-
	116.219	7.7	*Pinta 15/4-20	-
	116.229	6.7	*Pinta 10/4-20	-
	116.030	15.4	*Pinta 15/4-20	-
	116.217	15.4	*Pinta 15/4-20	-
	116.213+116.211	14.5	*Pinta 15/4-20	-
	116.213+116.210	14.5	*Pinta 15/4-20	-
	114052	7.7	*Pinta 10/4-20	WKRT39x25-ZW-B-BR
	114.053	7.7	*Pinta 10/4-20	WKRT40x50-BW-B-ZR
	114.054	7.7	*Pinta 10/4-20	WKRT48x60-BW
	114.055	7.7	*Pinta 10/4-20	WKRT48x120-ZW-WL
	109.223	6.6	*Pinta 10/4-20	WKRT40x50-BW-B-ZR
	109.126	6.6	*Pinta 10/4-20	WKRT48x60-BW
	109.121	6.6	*Pinta 10/4-20	-
	116.210+116.212	14.5	*Pinta 15/4-20	-
	116.211+116.212	14.5	*Pinta 15/4-20	-
116.230	7.6	*Pinta 15/4-20	-	

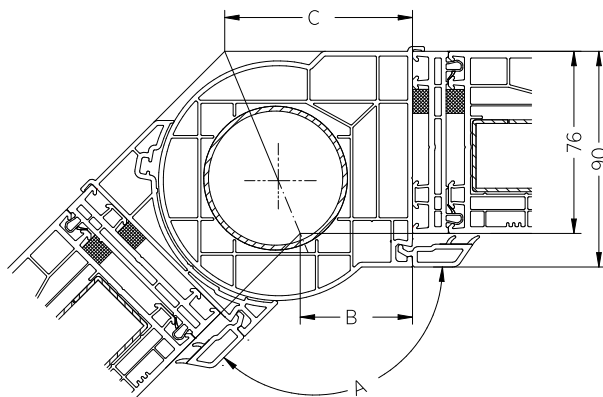
## Connectors



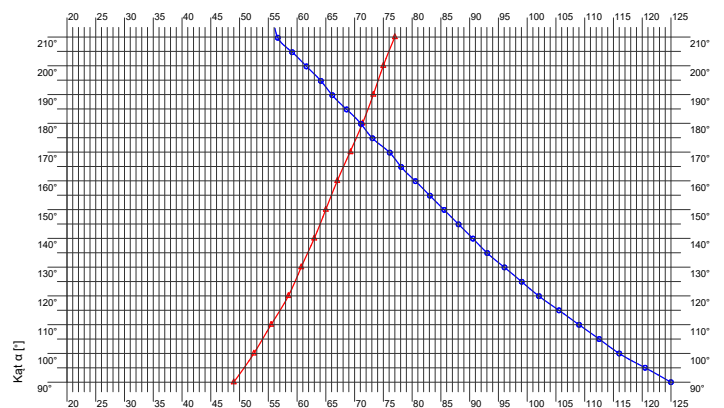
Connector 116.210



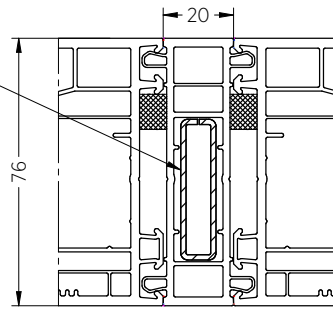
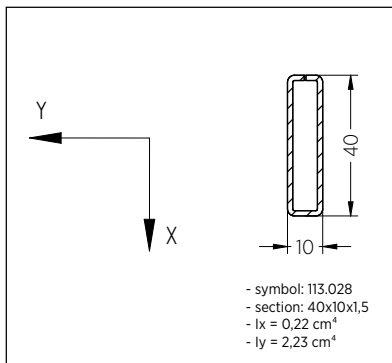
Connector 116.210+116.211



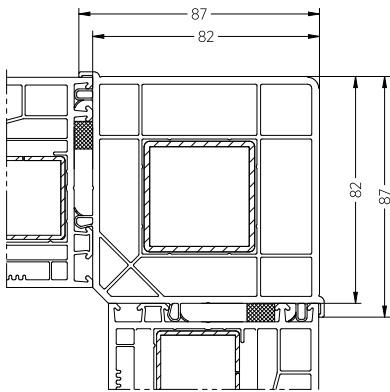
Pipe connector 116.216 + widening 15 mm



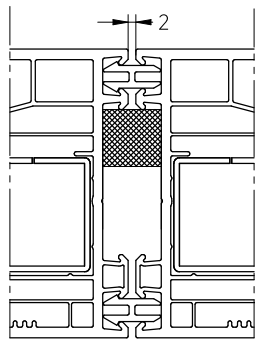
Reduction in length on each side [mm] (C)  
Reduction in length on each side [mm] (B)



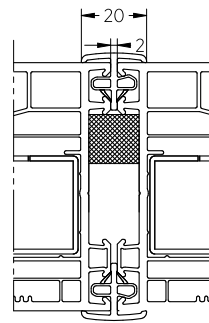
Connector 116.230



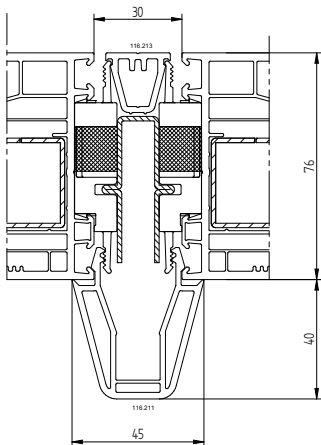
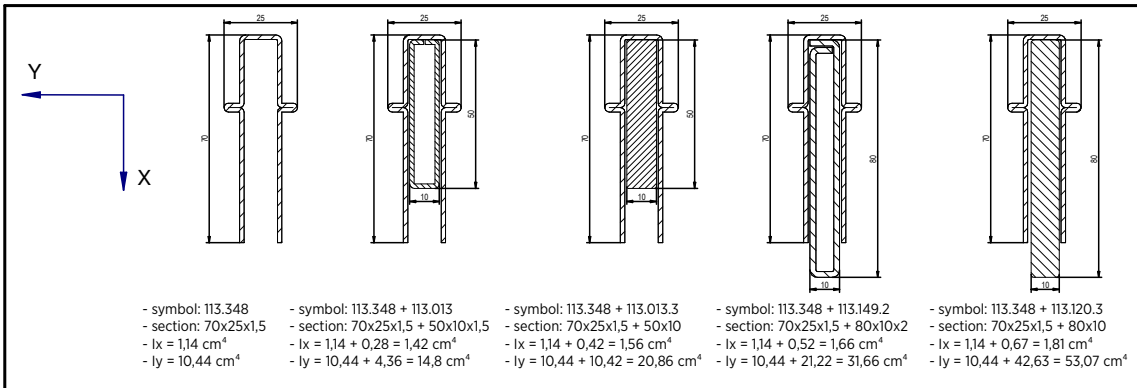
90 degree angle connector 116.229



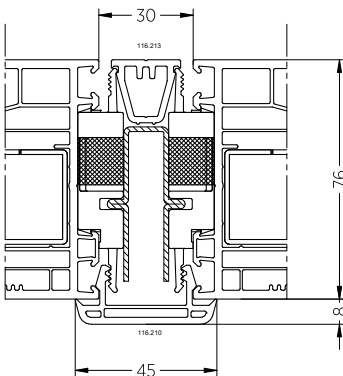
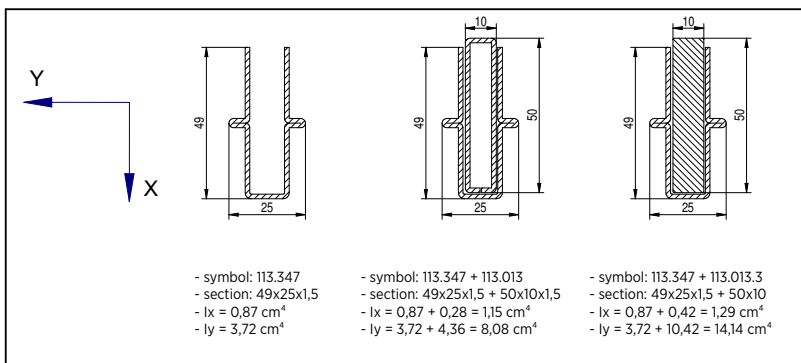
Mini connector 116.030



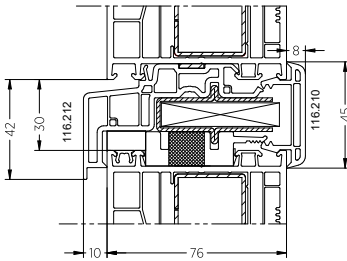
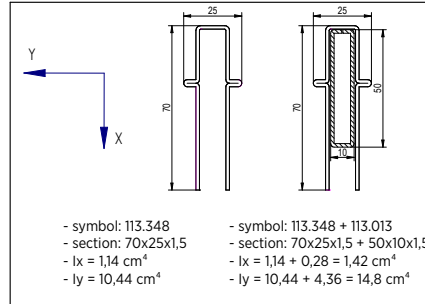
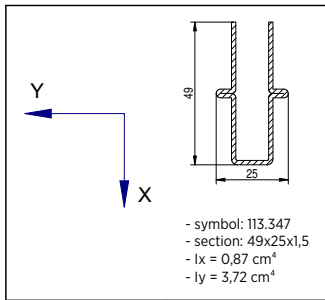
Mini connector 116.217



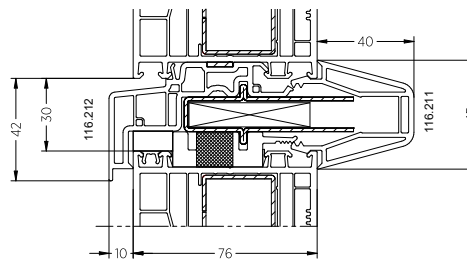
Connector 116.213+116.211



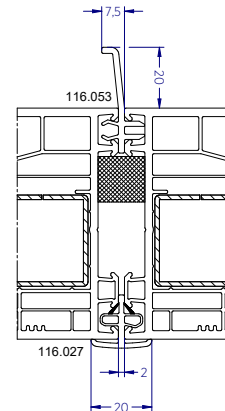
Connector 116.213+116.210



Connector 116.210+116.212

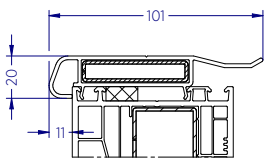


Connector 116.211+116.212

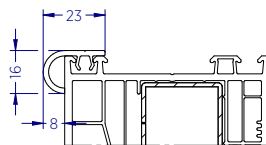


Connector 116.053

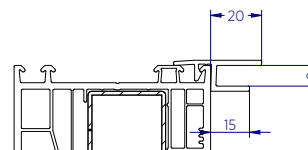
### Roller shutter box traverses



Traverse 108.032



Traverse 108.100

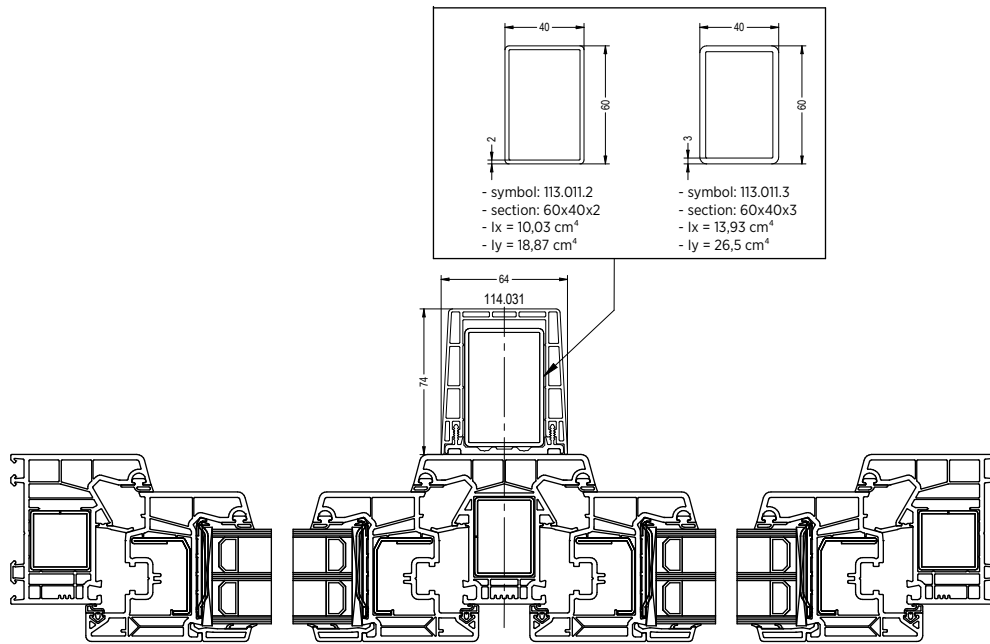


Traverse 109.286

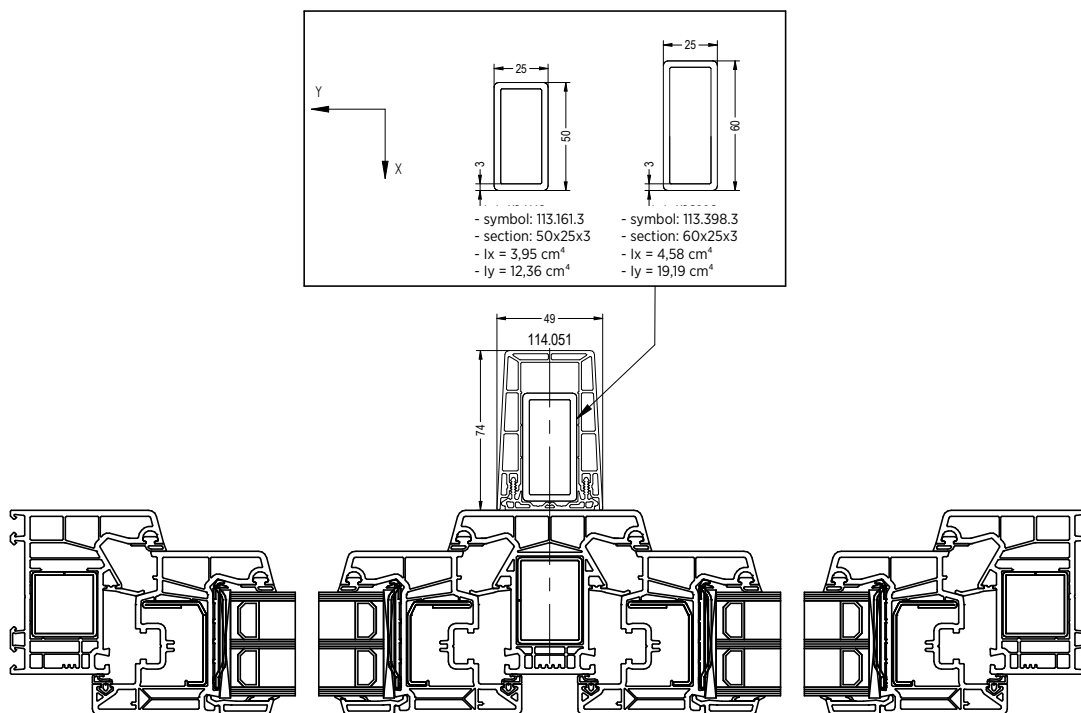




## Bracing elements



Bracing element 114.031

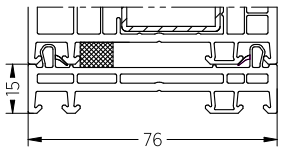


Bracing element 114.051

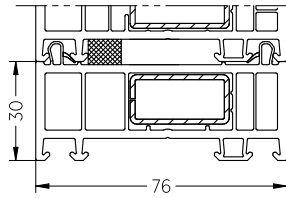


## Widenings

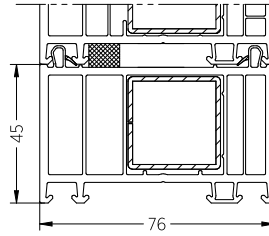
Dedicated for the PRIMO 76 windows



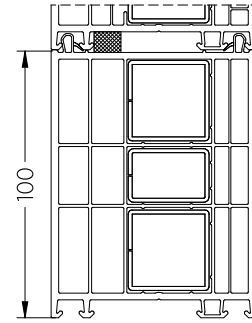
Widening 114.052



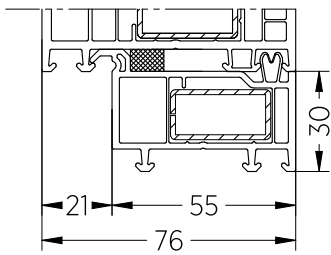
Widening 114.053



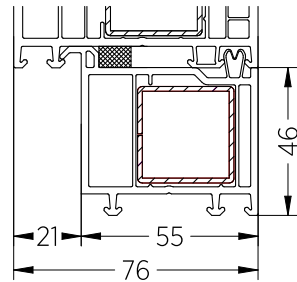
Widening 114.054



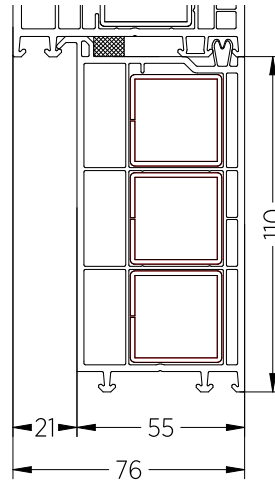
Widening 114.055



Widening 109.223



Widening 109.126

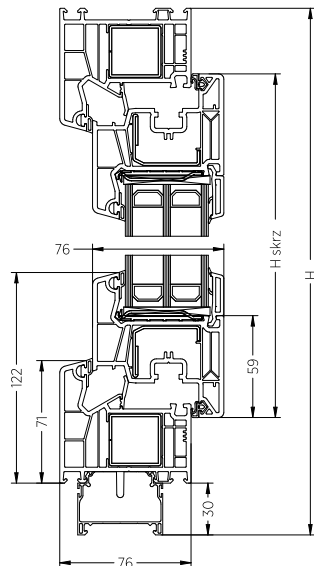


Widening 109.121

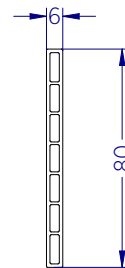
## Undersill strips

### Thermal strip

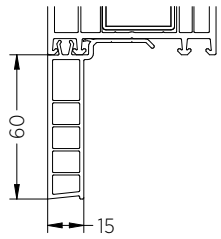
The maximum number of thermal strips is 2, whereas the maximum height of stacked thermal strips is 60 [mm].



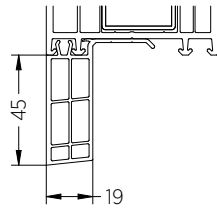
## Covering profiles



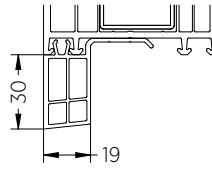
Covering profile 109.046



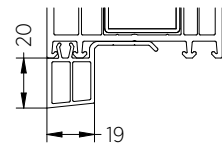
Undersill strip 60 [mm]



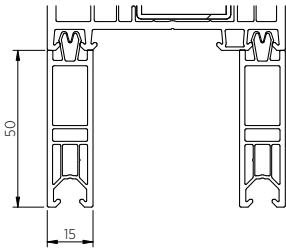
Undersill strip 45 [mm]



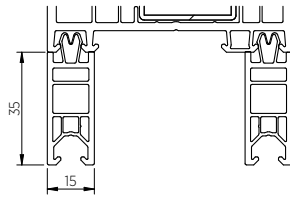
Undersill strip 30 [mm]



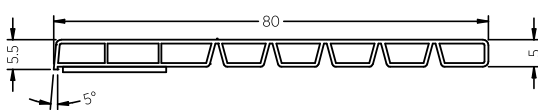
Undersill strip 20 [mm]



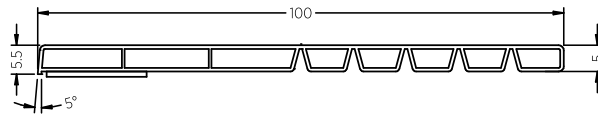
Undersill strip 50 [mm]



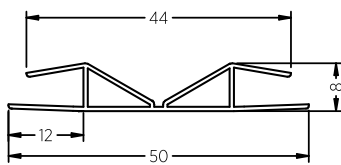
Undersill strip 35 [mm]



Chamber strip 80 [mm]



Chamber strip 100 [mm]



Joining profile 50 [mm]

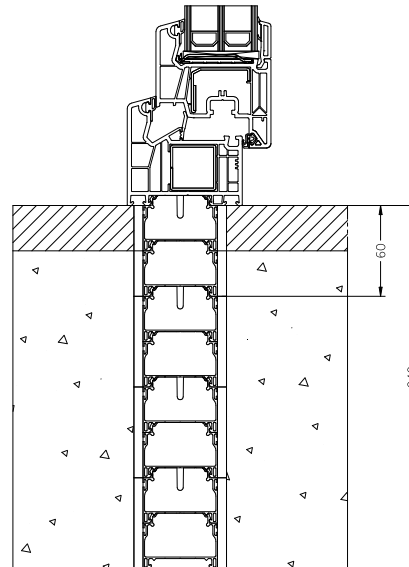
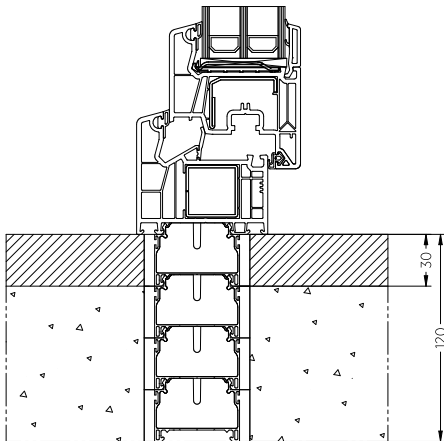


### Thermal widening

The maximum number of thermal widenings is 4, whereas the maximum height of stacked thermal widenings is:

**For thermal widenings 30 [mm] = 120 [mm]**

**For thermal widenings 60 [mm] = 240 [mm]**

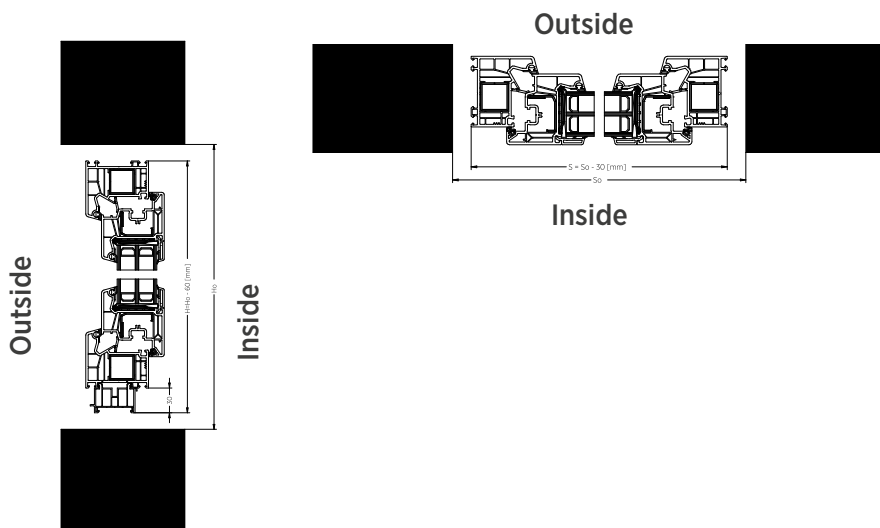


### Accessories and delivery

The windows are assembled and ready for fitting (optionally with opening frame holes for direct mounting and steel anchors for indirect mounting). The windows are delivered in one piece. Large windows consisting of two or more elements are disassembled into parts for shipping. The glass for the HST patio door is delivered in transport frames.

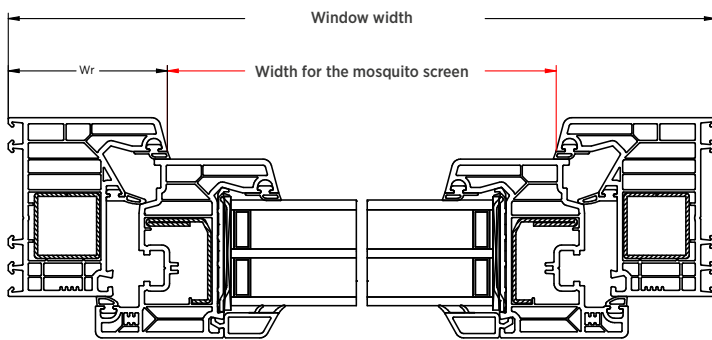
### Ordering and installation dimensions for windows and PSK

Drilling for wall plugs is an option and is performed in accordance with the customer's requirements. Wall plug hole diameter -  $\varnothing$  6 [mm]. In the order, please provide the H dimension, without the 30 [mm] undersill strip.

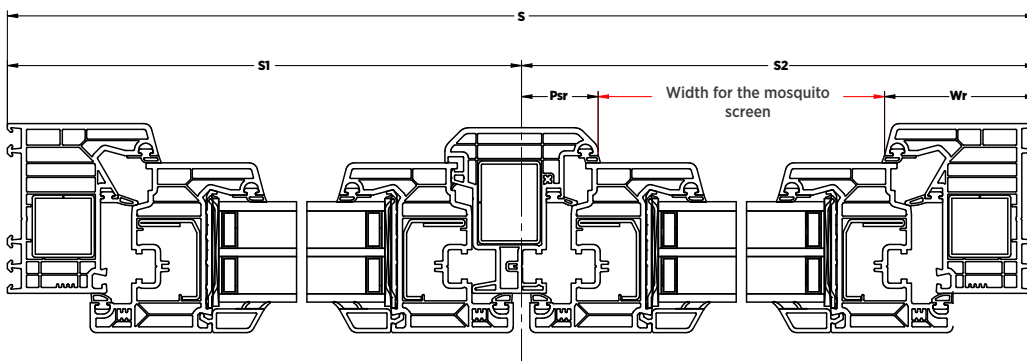




Sized for a mosquito screen



Profile system	Frame geometry	Frame height Wr [mm]
Softline 76	101.350	71
Softline 76	101.351	81



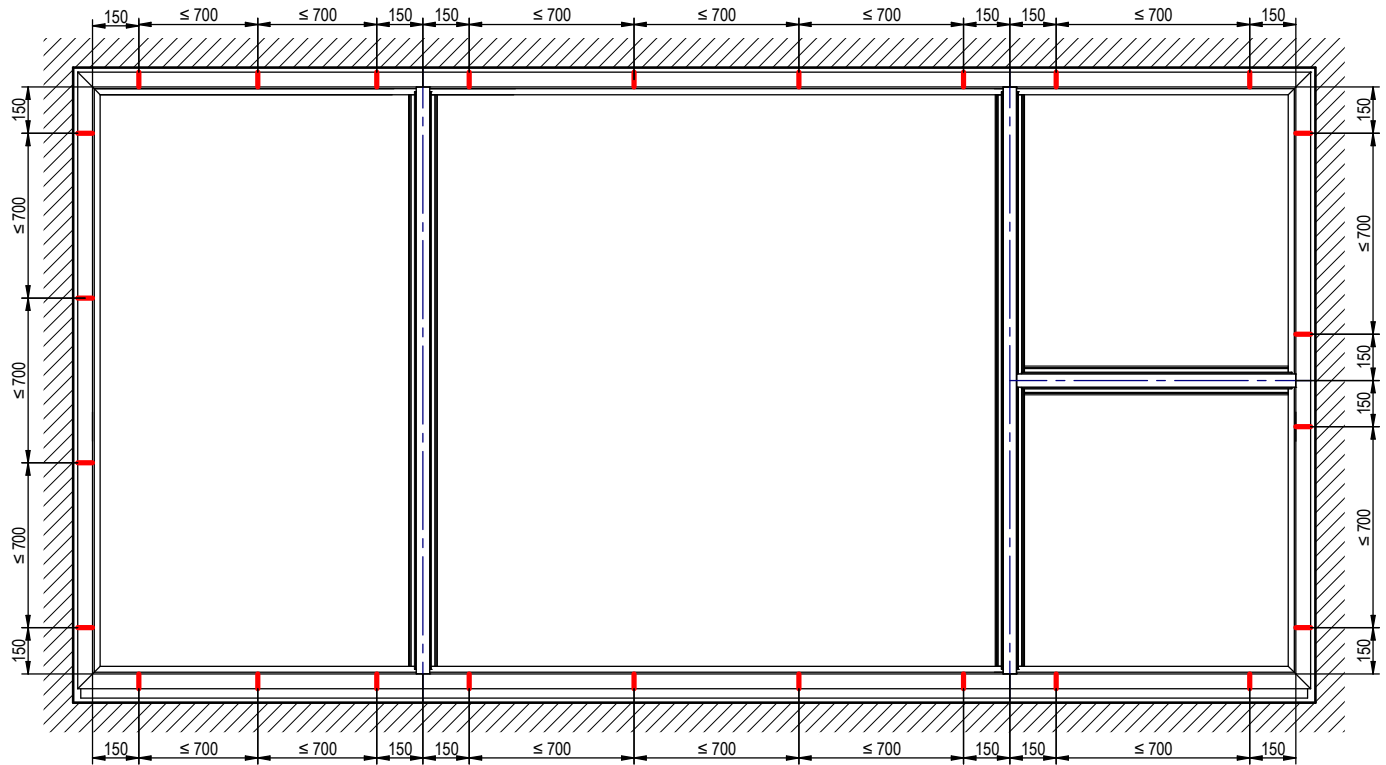
Clear opening for a mosquito screen, calculation formula  $\text{Clear opening} = S2 - Wr - Psr$

Profile system	Geometry of a moving post	Moving post division Psr [mm]
Perfectline 76	102.356	37

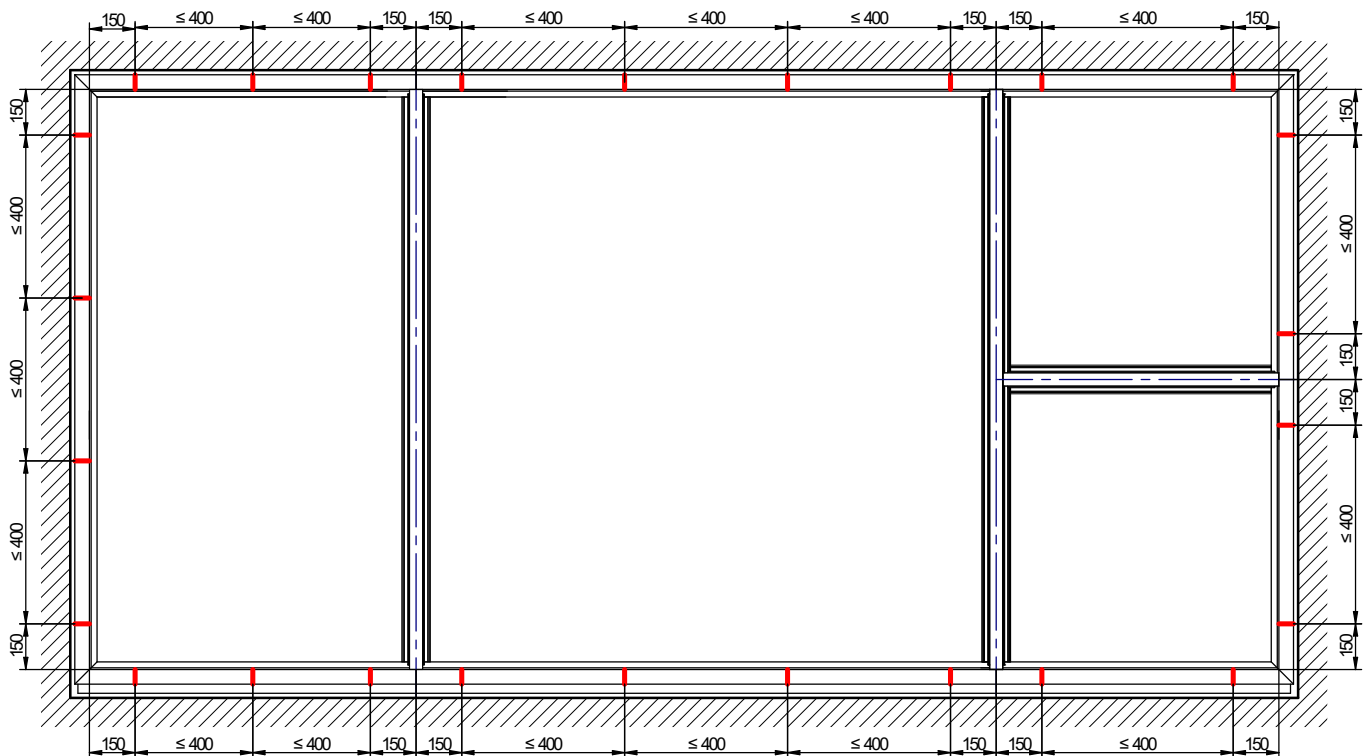
S2 - division size of the ACTIVE section of a window with a moving post



### Spacing of anchors / dowels – STANDARD windows, windows with the Security 1 / Security 2 burglary protection class



### Spacing of anchors / dowels – windows in the RC2 anti-burglary class



Marking for wall plugs is an option and is performed in accordance with the customer's requirements. Wall plug hole diameter –  $\varnothing 6$  [mm].



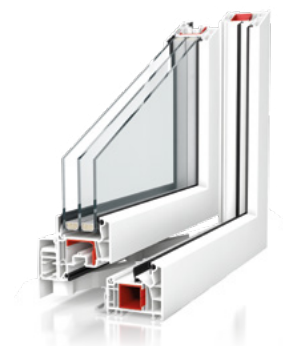
## Pricing guidelines

- All the versions are presented as seen from the inside,
- Standard hardware for windows: Maco MultiMatic,
- Each structure includes a transport and installation bar,
- We reserve the right to estimate the final value and determine the feasibility of production of the joinery.



Window type		PRIMO 76	PRIMO 76 with a low threshold
Number of chambers in the frame		5	5
Installation depth		76 mm	76 mm
Profile class		A	A
Profile core		white, caramel, brown, anthracite	white, caramel, brown, anthracite
Gaskets around the circumference		3	3
Structural reinforcement		steel box section in the frame	steel box section in the frame
Standard glass unit		two-chamber 4/18/4/18/4 Ug=0.5 W/m <sup>2</sup> K	two-chamber 4/18/4/18/4 Ug=0.5 W/m <sup>2</sup> K
Standard hardware	Drive gear with a lifting mishandling device and a leaf lifter	●	●
	Moving rollers i.S.	●	●
	Alloy strikers, two anti-burglary strikers in the R and RU leaf	●	●
	Microventilation in scissor stay	●	●
	Surface hinges with pressure adjustment	●	●
	Bottom striker plate in the RU leaves	●	●
	Anti draught lock in RU	●	●
	Aluminium threshold with a 30 mm widening	—	●
Handle	aluminium	aluminium	
Also available in class	SECURITY 1, SECURITY 2, RC2	SECURITY 1, SECURITY 2, RC2	





Window type	PRIMO PSK-76
Number of chambers in the frame	5
Profile thickness	76 mm
Gaskets around the circumference	3
Structural reinforcement	steel box section in the frame
Standard glass unit	two-chamber 4/18/4/18/4 Ug=0.5 W/m²K
Hardware	tilt and slide, parallel-stop-slide
Handle	aluminium
Also available in class	PSK Standard and PAS – SECURITY 2 Scheme A



**WIŚNIEWSKI**

WIŚNIEWSKI Sp. z o.o. S.K.A.  
PL 33-311 Wielogłowy 153  
tel. +48 18 44 77 111  
Fax +48 18 44 77 110  
[www.wisniowski.eu](http://www.wisniowski.eu)

Let us inspire you!  
See other solutions from WIŚNIEWSKI!



The products shown in this publication often feature special accessories and do not always correspond to their standard versions • The technical data sheet does not constitute an offer within the meaning of the Polish Civil Code • The manufacturer reserves the right to introduce changes without notice • NOTE: The colours shown in the technical data sheet are for reference only • All rights reserved • Copying and use, in part or in full, is prohibited without the consent of WIŚNIEWSKI Sp. z o.o. S.K.A. • PVC Windows PRIMO 76/06.24/EN