

ROLLER SHUTTERS



WIŚNIOWSKI

GATES | WINDOWS | DOORS | FENCES

WINDOW ROLLER SHUTTERS PROTECTA

Intended use: Window roller shutters are intended for use in single-family detached homes. Their main purpose is to cover windows and glazings to ensure a high level of privacy and protection against strong sun and high levels of noise. In modern design, they are also a universal decorative element, which – thanks to the broad individualization options – suits almost all types of architecture. WIŚNIOWSKI roller shutters have a curtain made of aluminium sheet, infilled with polyurethane foam. The box, access cover, as well as guide rails are also made of aluminium, or PVC in the case of top-mounted roller shutters. It is a durable material that ensures reliable operation and the best protection of the entire building.



INSULATION

The Protecta roller shutters protect your home against sun, cold, wind, and noise. They insulate the home interior from everything that can disturb the peace and security of your family.



SMART CONTROL

Thanks to the smartCONNECTED feature, you can control the Protecta roller shutters from your phone. You are at work and you want to close the roller shutters so that the strong sun does not overheat the interior? Just do it remotely without having to move one inch.



MODERN DESIGN

The design of the Protecta roller shutters is all about timeless elegance. That is why they will match any type of architecture. But they will always look their best with WIŚNIOWSKI windows.



PROTECTA A ROLLER SHUTTERS

Technical information

The Protecta A roller shutters are a roller shutter system in which the access cover and the guide rails are made of aluminium. The curtain comprises profiles made of aluminium sheet infilled with freon-free polyurethane foam and finished with an end slat. The curtain sheet is covered with two layers of paint, which improves the curtain's resistance to abrasion, scratches, and the weather conditions.

Service access to the inside of the box is provided through the access cover located on the outside of the roller shutter.

These roller shutters can be used in newly built buildings, as well as in existing buildings without having to modify the building structure. Roller shutters can be installed using two methods, either in the window recess, in which case the guide rails are installed to the window frame; or on the façade, in which case the roller shutter dimensions have to be increased to include the guide rail width and the box height.

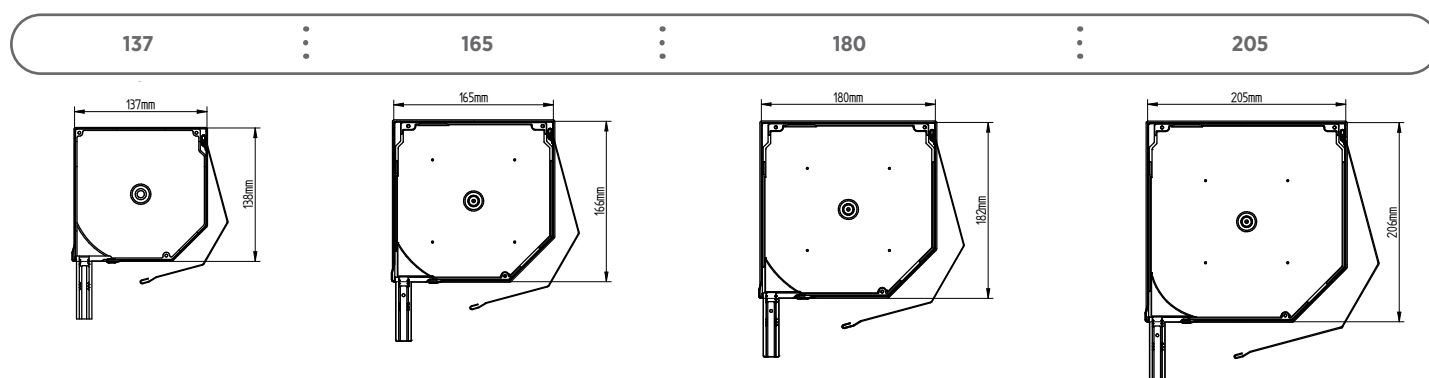
Thanks to the option to integrate the Protecta A roller shutters with a mosquito screen, the home interior is not only protected against high solar exposure in the summer and loss of heat in the winter, but the roller shutters also ensure effective protection against insects.



Structure of the Protecta A roller shutter Standard accessories

- 6 non-perforated slats from the top
- steel/PVC soft hangers with felt
- end slat 51 mm high
- end slat caps with a fixed bumper
- guide rails with a brush seal
- access cover fixed with rivets
- the top end position is set in the power operated version
- rubber cable gland
- cord winder in colour: white / brown

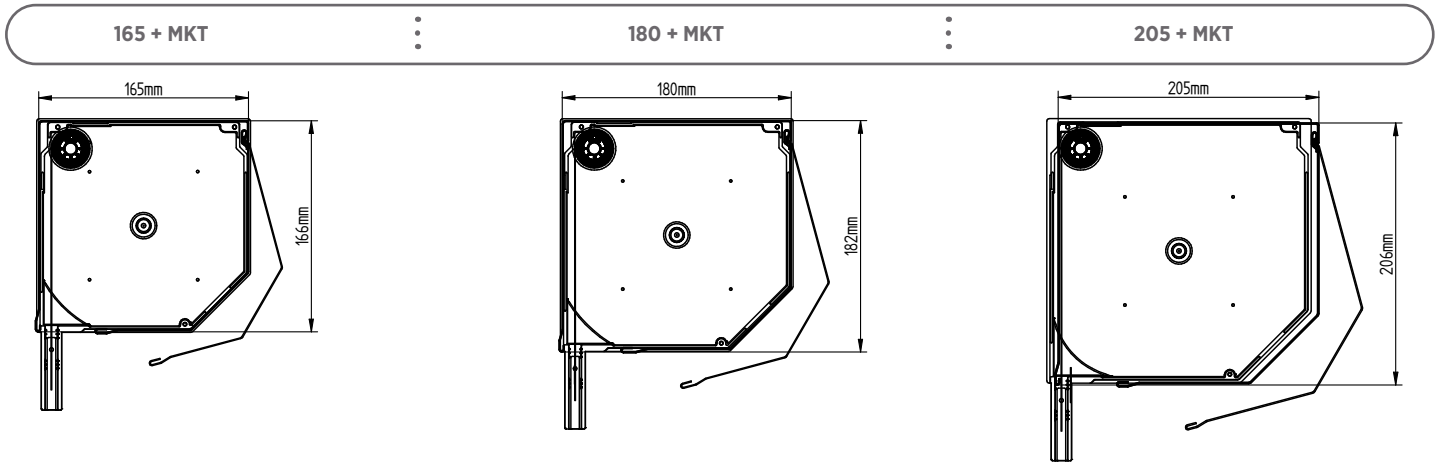
Box sizes – Protecta A roller shutter



Maximum height including the box for the Protecta A roller shutter [mm]											
Box size	Curtain PA39				Curtain PA43			Curtain BP41R-0			
	SW40 + WB	SW40	SW60 + WB	SW60	SW40	SW60	SW60 + WB	SW40 + WB	SW40	SW60 + WB	SW60
137	1,560	1,600	1,440	1,210	1,410	930	1,150	1,560	1,560	1,440	1,210
165	2,390	2,470	2,280	2,120	2,500	2,110	2,320	2,390	2,390	2,280	2,120
180	2,950	3,020	2,790	2,630	2,980	2,590	2,800	2,950	2,950	2,790	2,630
205	4,320	4,210	4,050	3,780	4,020	3,630	3,850	4,210	4,210	4,050	3,780



Box dimensions – Protecta A roller shutter with a mosquito screen

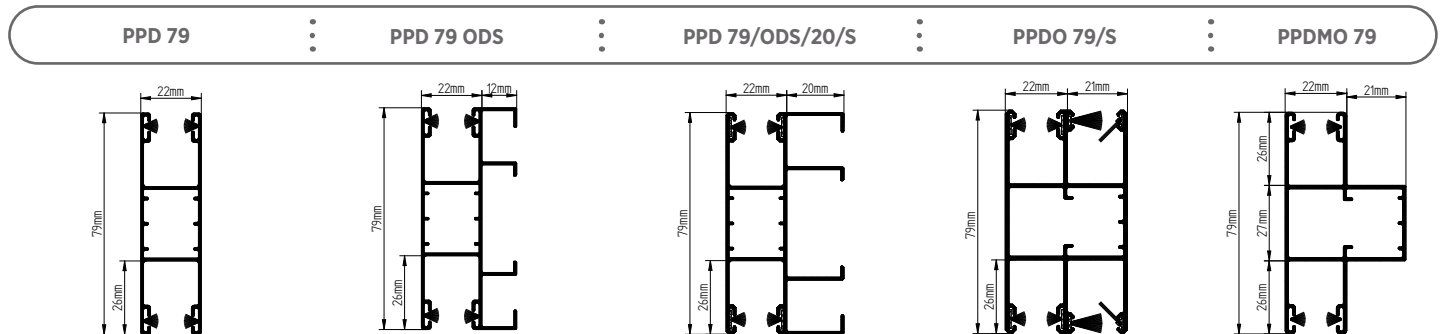
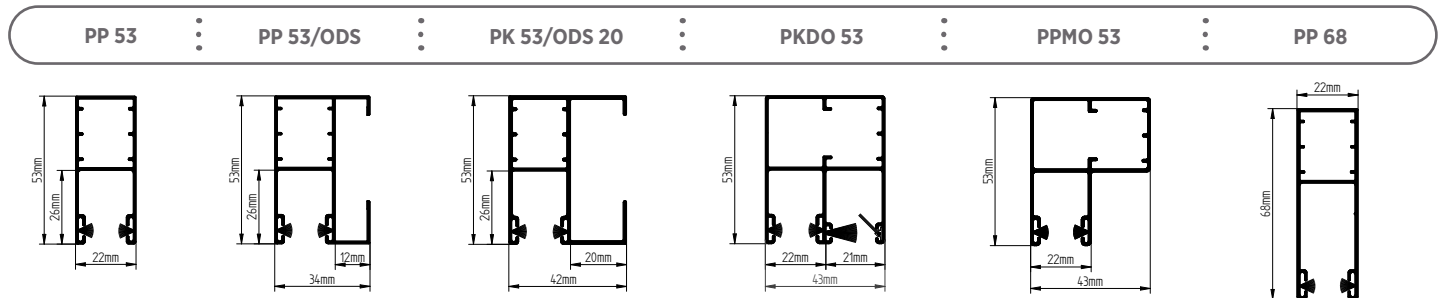


Maximum height including the box for the Protecta A roller shutter with a mosquito screen [mm]											
Box size	Curtain PA39				Curtain PA43			Curtain BP41R-0			
	SW40 + WB	SW40	SW60 + WB	SW60	SW40	SW60	SW60 + WB	SW40 + WB	SW40	SW60 + WB	SW60
165	1,700	1,690	1,600	1,650	1,600	1,330	1,510	1,700	1,690	1,600	1,650
180	1,700	1,700	1,700	1,700	2,460	2,120	1,900	1,700	1,700	1,700	1,700
205	1,700	1,700	1,700	1,700	2,500	2,500	2,500	1,700	1,700	1,700	1,700

SW – octagonal steel tube with an internal/external weld

WB – self-locking hanger

Guide rail types

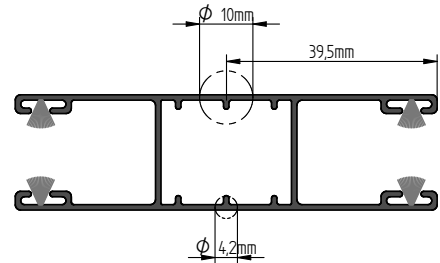
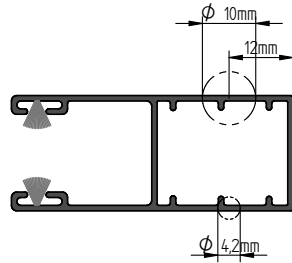
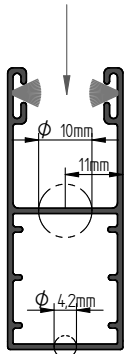




Guide rail drilling options

Drilling type "A", from the side

Drilling type "B", from the face



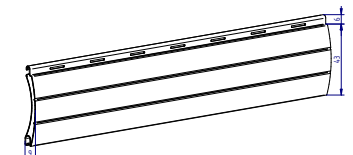
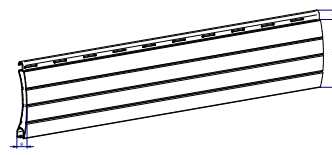
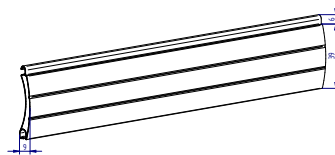
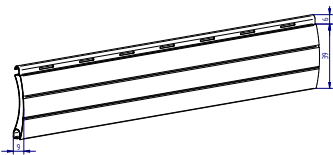
Curtain

PA 39

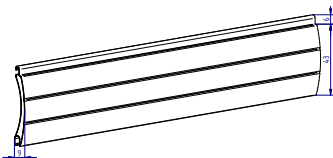
PA 39

PA 41

PA 43



PA 43



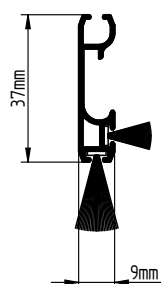
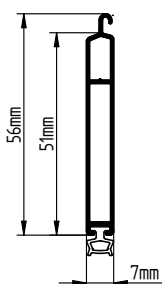
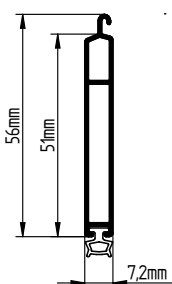
	Technical data		
	PA 39	PA 43	BP41R-O
Slat height	39 mm	43 mm	41 mm
Weight 1 m²	2.8 kg	2.6 kg	2.7 kg
Slats per metre of height	25.6 pieces	23.2 pieces	24.4 pieces
Max. roller shutter surface	6 m ²	9 m ²	6.5 m ²

End slats

LDG

LDG-E

LDSM MKT

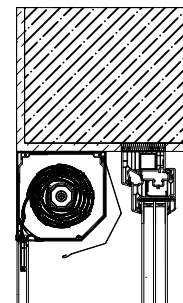
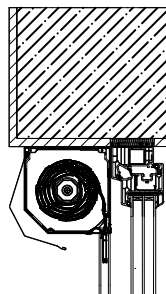
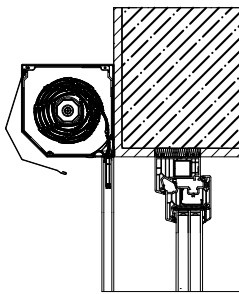




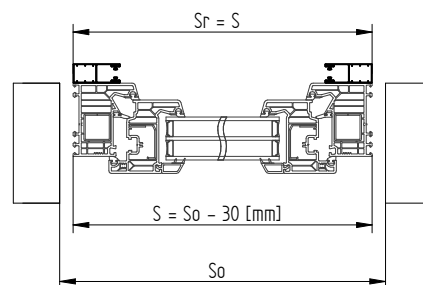
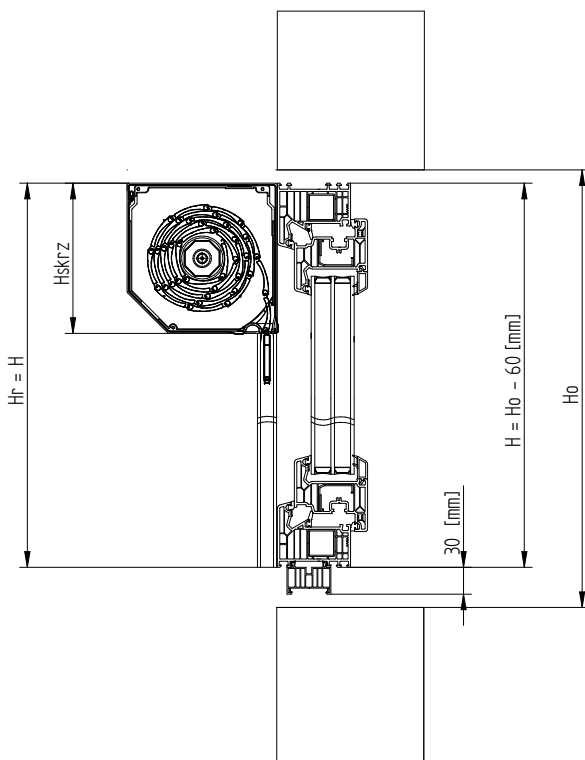
The type of end slats depends on the colour																				
Colour Slat	00	01	02	03	05	08	09	20	23	23R	28	28R	30	30R	34	40	43	52R	53R	79R
LDG	x	x	x	x	-	x	x	-	x	x	-	x	-	x	x	x	x	x	x	-
LDG-E	x	-	-	-	-	-	-	x	-	-	x	-	x	-	-	-	-	-	-	x
LDSM MKT	x	x	x	x	x	x	x	-	x	-	-	x	x	x	-	-	-	x	-	-

Default roller shutters configuration in golden oak and walnut colour				
PROTECTA A				
Roller shutter type	Curtain	Guide rails	End slat	Revision
Walnut	Aluprof 28 - varnish	Aluprof 28 - varnish	Aluprof 28 - varnish	Aluprof 28 - varnish
Golden oak	Aluprof 30 - varnish	Aluprof 30 - varnish	Aluprof 30 - varnish	Aluprof 30 - varnish

Protecta A system roller shutter installation methods



Dimensioning roller shutters, Protecta A, recess installation





Colours

CURTAIN		END SLAT		TRACKS		BOX	
Standard colours		Standard colours		Standard colours		Standard colours	
Silver	01	White	02	White	02	White	02
White	02	Grey	03	Grey	03	Grey	03
Grey	03	Dark brown	08	Dark brown	08	Dark brown	08
Dark brown	08	Brown	09	Brown	09	Brown	09
Brown	09	Anthracite grey	23	Anthracite grey	23	Anthracite grey	23
Anthracite grey	23	Nut Brown	28	Nut Brown	28	Nut Brown	28
Nut Brown	28	Golden Oak	30	Golden Oak	30	Golden Oak	30
Golden Oak	30	Special colours		Special colours		Special colours	
Special colours		Silver	01	Silver	01	Silver	01
Black	20	Black	20	Anthracite Grey	23R	Golden Oak	30R
Light grey	31	Anthracite Grey	23R	Nut Brown	28R	Quartz grey	34
Basalt grey	33	Nut Brown	28R	Golden Oak	30R	Winchester	52R
Quartz grey	34	Golden Oak	30R	White pearl mat	40	Dark Oak	53R
Concrete grey	35	Quartz grey	34	Anthracite grey pearl mat	43	RAL 9007	-
Dark Oak	36	White pearl mat	40	Winchester	52R	RAL 9006	-
Grey aluminium	37	Anthracite grey pearl mat	43	Dark Oak	53R	RAL 9005	-
White pearl mat*	40	Winchester	52R	Bleached oak	79R	RAL 7039	-
Anthracite grey pearl mat*	43	Dark Oak	53R	Anthracite quartz F4361014	-	RAL 7023	-
Turner oak*	49	Bleached oak	79R	Black Ulti-Matt 47097	-	RAL 7012	-
Winchester	52	Anthracite quartz F4361014	-	Woodec Turner Oak Malt	-	RAL 8003	-
Bleached oak*	79	Black Ulti-Matt 47097	-	Woodec turner oak toffee	-	RAL 1013	-
Woodec Turner Oak Malt**	-	Woodec Turner Oak Malt	-	Antracite grey 4365003	-	RAL 7038	-
Woodec Turner Oak Toffee**	-	Woodec turner oak toffee	-	Dark Grey Silk 4367003	-	RAL 7016	-
Metalic grey*	75	Antracite grey 4365003	-	Walnut 2178007	-	RAL 7024	-
Steel blue	18	Dark Grey Silk 4367003	-	Winchester 49240	-	RAL 1001	-
Green	13	Walnut 2178007	-	Golden oak 2178001	-	RAL MODERN GRAPHITE	-
		Winchester 49240	-	Smooth Basalt Grey 701205083	-	RAL 8014	-
		Golden oak 2178001	-	Agate grey 703805	-	RAL MODERN BLACK	-
		Smooth Basalt Grey 701205083	-	Smooth silver grey 715505083	-	RAL ANTHRACITE	-
		Agate grey 703805	-	Silver grey 715505	-	RAL 7047	-
		Smooth silver grey 715505083	-	Earl platin 1293010	-	RAL 5011	-
		Silver grey 715505	-	Anthracite Grau Matt F470-6003	-	RAL 7035	-
		Earl platin 1293010	-	Natural oak 3118076	-		
		Anthracite Grau Matt F470-6003	-	JetBlack 4467062	-		
		Natural oak 3118076	-	Green 600505	-		
		JetBlack 4467062	-	RAL 9007	-		
		Green 600505	-				



END SLAT		TRACKS	
Standard colours		Standard colours	
RAL 9007	-	RAL 9006	-
RAL 9006	-	RAL 9005	-
RAL 9005	-	RAL 7039	-
RAL 7039	-	RAL 7023	-
RAL 7023	-	RAL 7012	-
RAL 7012	-	RAL 8003	-
RAL 8003	-	RAL 1013	-
RAL 1013	-	RAL 7038	-
RAL 7038	-	RAL 7016	-
RAL 7016	-	RAL 7024	-
RAL 7024	-	RAL 1001	-
RAL 1001	-	RAL MODERN GRAPHITE	-
RAL MODERN GRAPHITE	-	RAL 8014	-
RAL 8014	-	RAL MODERN BLACK	-
RAL MODERN BLACK	-	RAL ANTHRACITE	-
RAL ANTHRACITE	-	RAL 7047	-
RAL 7047	-	RAL 5011	-
RAL 5011	-	RAL 7035	-
RAL 7035	-		

PLEASE NOTE

Curtain colours marked with the asterisk symbol * are not available with the PA43 curtain.
 Guide rail colours include the standard guide rails PP53/S and PPD79/S.
 Curtain colours marked with the double asterisk symbol ** are only available with the BP41R-0 curtain.

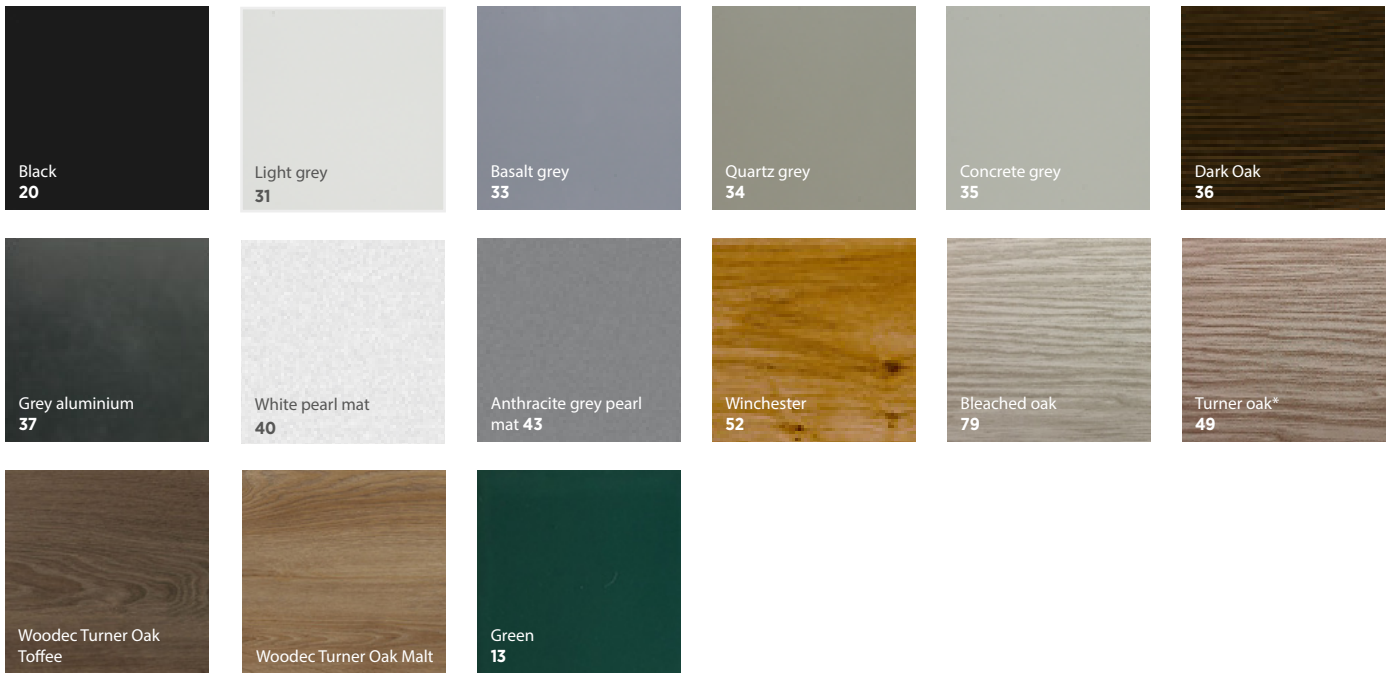
The colour hue of the film coating of roller shutters and window joinery may differ.

Curtain – standard colours





Curtain – special colours





PROTECTA P ROLLER SHUTTERS

Technical information

The Protecta P roller shutters are a roller shutter system in which the access cover and the guide rails are made of aluminium. The curtain comprises profiles made of aluminium sheet infilled with freon-free polyurethane foam and finished with an end slat. The curtain sheet is covered with two layers of paint, which improves the curtain's resistance to abrasion, scratches, and the weather conditions.

This system is intended for new buildings and requires proper preparation of the lintel. It can also be installed in already built buildings, but requires certain modifications to be made to the lintel. Before the box installation, the area between the rear wall of the box and the lintel must be insulated, which decreases the risk of a thermal bridge being created. The flush-mounted roller shutter box is designed so that its surface can be covered with a layer of thermal insulation material. With this solution, the flush-mounted roller shutter box becomes a concealed element of the building façade.

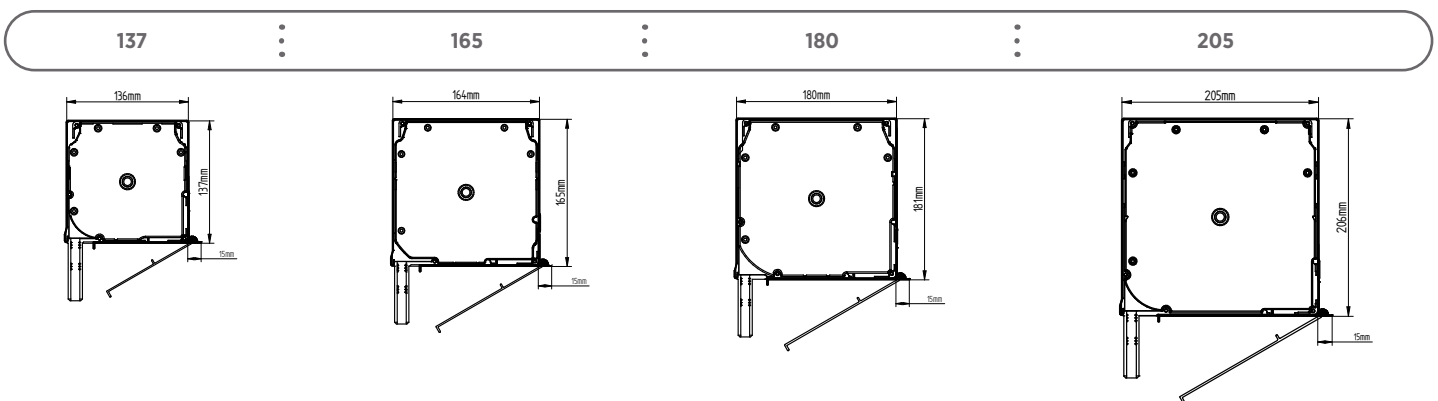
The access cover, usually matched with the window colour, is located on the outer side of the building and provides easy access to the inside of the box for servicing. Thanks to the option to integrate the Protecta P roller shutters with a mosquito screen, the home interior is not only protected against high solar exposure in the summer and loss of heat in the winter, but the roller shutters also ensure effective protection against insects.



Structure of the Protecta P roller shutter Standard accessories

- 6 non-perforated slats from the top
- steel/PVC soft hangers with felt
- end slat 51 mm high
- end slat caps with a fixed bumper
- guide rails with a brush seal
- guide caps
- access cover fixed with rivets
- the top end position is set in the power operated version
- rubber cable gland
- cord winder in colour: white / brown
- plaster bracket for covering 15 mm

Box sizes – Protecta P roller shutter

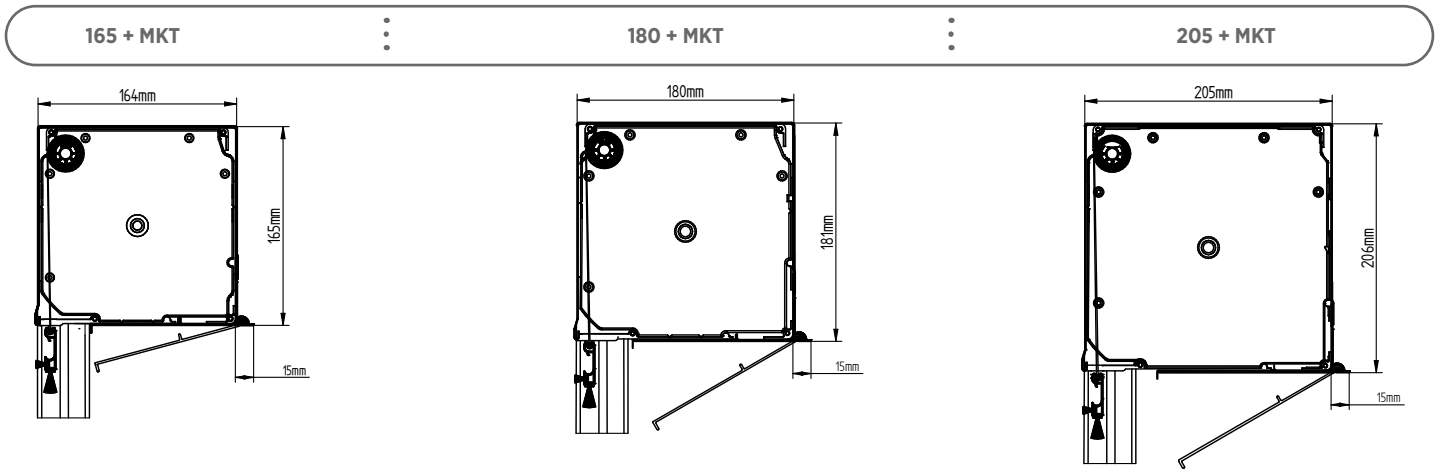


Maximum height including the box for the Protecta P roller shutter [mm]											
Box size	Curtain PA39				Curtain PA43			Curtain BP41R-0			
	SW40 + WB	SW40	SW60 + WB	SW60	SW40	SW60	SW60 + WB	SW40 + WB	SW40	SW60 + WB	SW60
137	1,560	1,600	1,440	1,210	1,410	930	1,150	1,560	1,560	1,440	1,210
165	2,390	2,470	2,280	2,120	2,500	2,110	2,320	2,390	2,390	2,280	2,120
180	2,950	3,020	2,790	2,630	2,980	2,590	2,800	2,950	2,950	2,790	2,630
205	4,320	4,210	4,050	3,780	4,020	3,630	3,850	4,210	4,210	4,050	3,780

SW - octagonal steel tube with an internal/external weld
WB - self-locking hanger



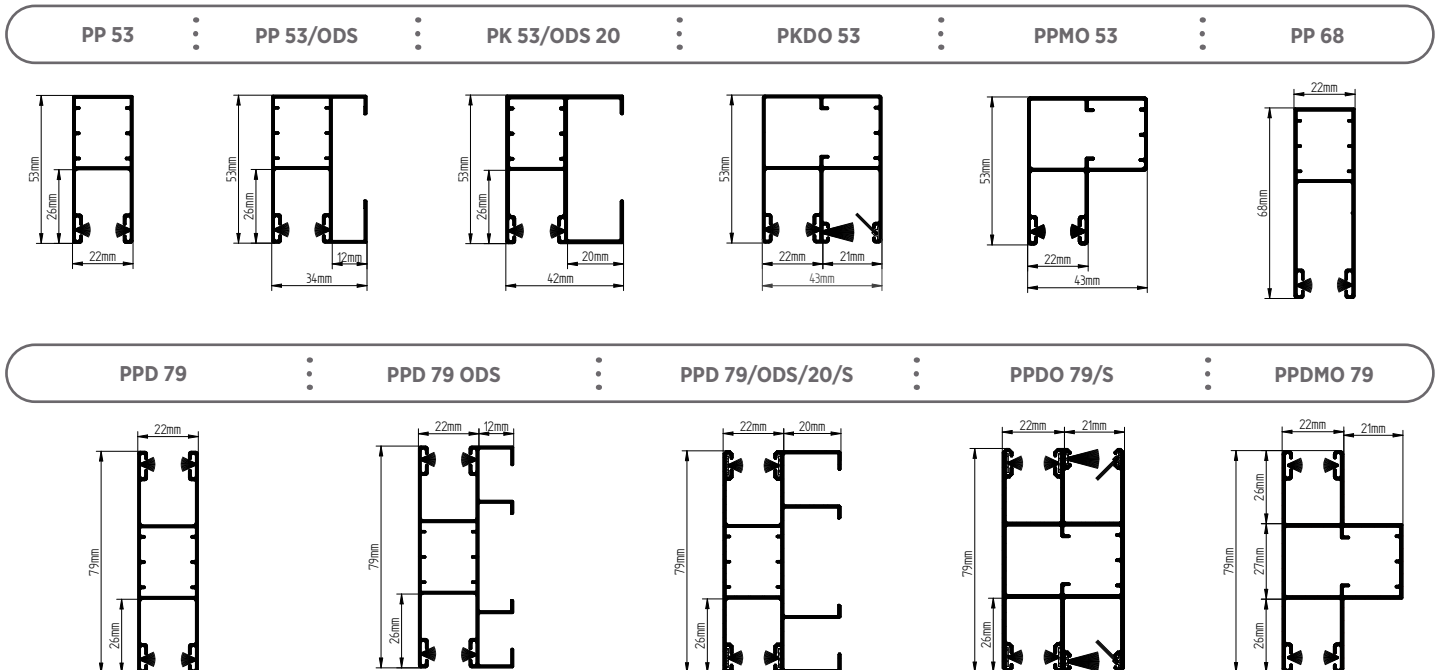
Box dimensions – Protecta P roller shutter with a mosquito screen



Maximum height including the box for the Protecta P roller shutter with a mosquito screen [mm]											
Box size	Curtain PA39				Curtain PA43			Curtain BP41R-0			
	SW40 + WB	SW40	SW60 + WB	SW60	SW40	SW60	SW60 + WB	SW40 + WB	SW40	SW60 + WB	SW60
165	1,700	1,690	1,600	1,650	1,600	1,330	1,510	1,700	1,690	1,600	1,650
180	1,700	1,700	1,700	1,700	2,460	2,120	1,900	1,700	1,700	1,700	1,700
205	1,700	1,700	1,700	1,700	2,500	2,500	2,500	1,700	1,700	1,700	1,700

SW - octagonal steel tube with an internal/external weld
WB - self-locking hanger

Guide rail types

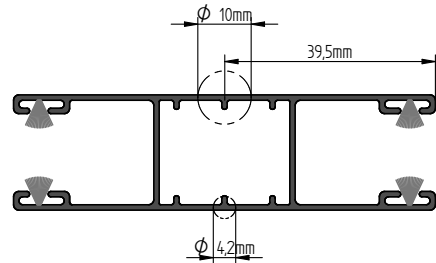
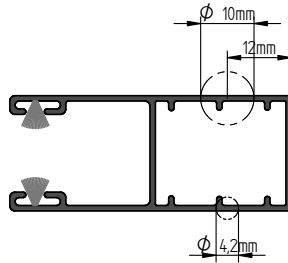
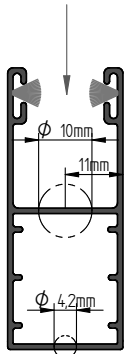




Guide rail drilling options

Drilling type "A", from the side

Drilling type "B", from the face



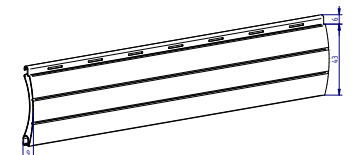
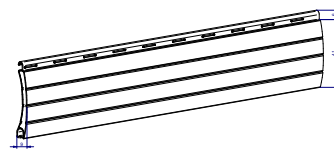
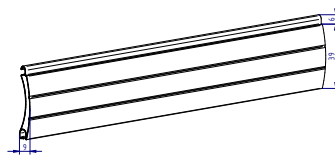
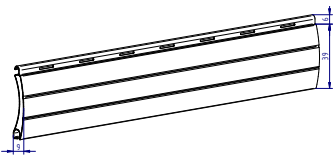
Curtain

PA 39

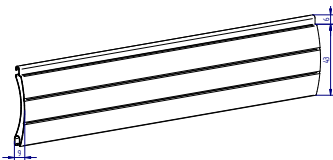
PA 39

PA 41

PA 43



PA 43



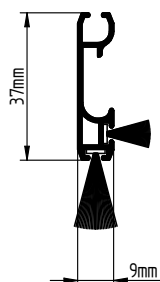
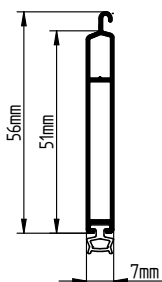
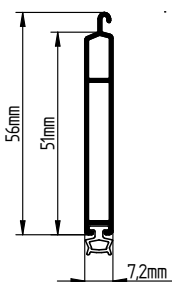
	Technical data		
	PA 39	PA 43	BP41R-0
Slat height	39 mm	43 mm	41 mm
Weight 1 m ²	2.8 kg	2.6 kg	2.7 kg
Slats per metre of height	25.6 pieces	23.2 pieces	24.4 pieces
Max. roller shutter surface	6 m ²	9 m ²	6.5 m ²

End slats

LDG

LDG-E

LDSM MKT

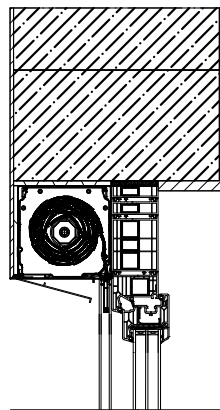
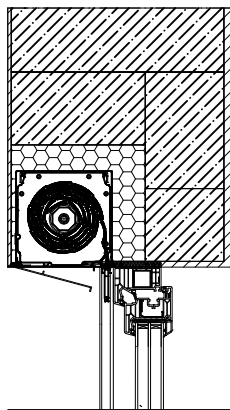




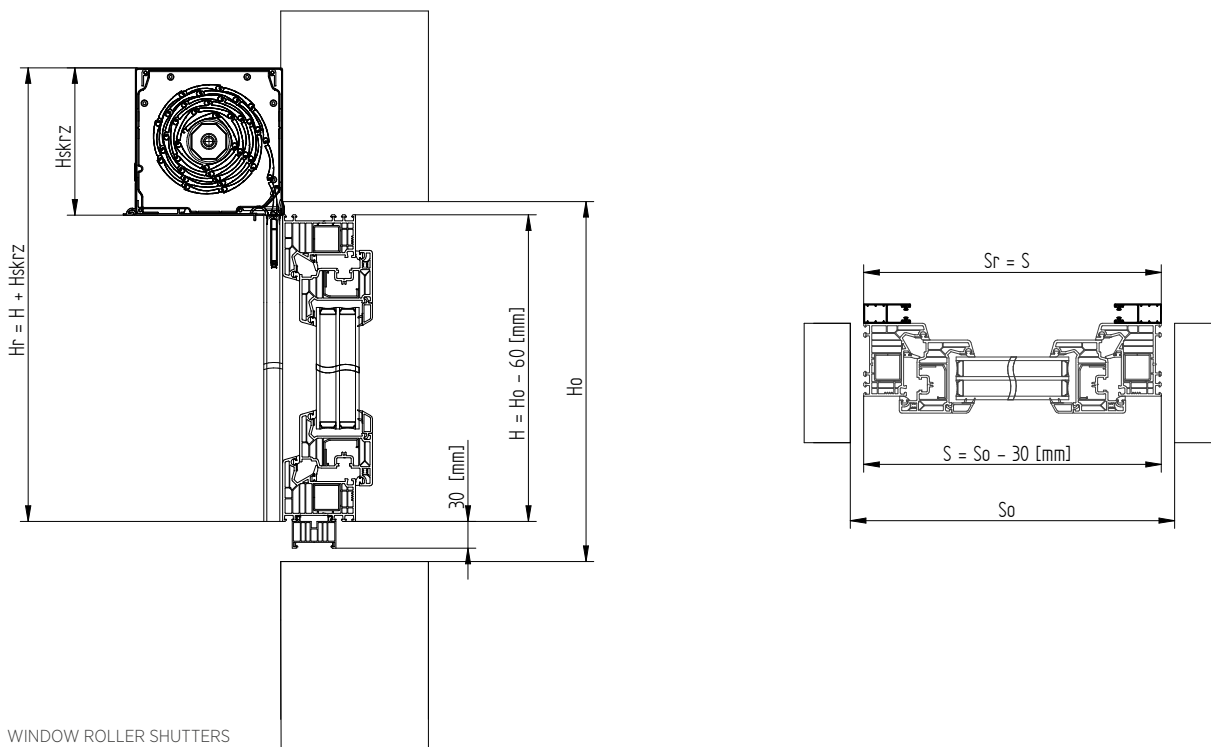
The type of end slats depends on the colour																				
Colour Slat	00	01	02	03	05	08	09	20	23	23R	28	28R	30	30R	34	40	43	52R	53R	79R
LDG	x	x	x	x	-	x	x	-	x	x	-	x	-	x	x	x	x	x	x	-
LDG-E	x	-	-	-	-	-	-	x	-	-	x	-	x	-	-	-	-	-	-	x
LDSM MKT	x	x	x	x	x	x	x	-	x	-	-	x	x	x	-	-	-	x	-	-

Default roller shutters configuration in golden oak and walnut colour				
PROTECTA P				
Roller shutter type	Curtain	Guide rails	End slat	Revision
Walnut	Aluprof 28 - varnish	Aluprof 28 - varnish	Aluprof 28 - varnish	Veneer 2178007
Golden oak	Aluprof 30 - varnish	Aluprof 30 - varnish	Aluprof 30 - varnish	Veneer 2178001

Protecta P system roller shutter installation methods



Dimensioning roller shutters, Protecta P lintel installation





Colours

CURTAIN		END SLAT		TRACKS		ACCESS COVER	
Standard colours		Standard colours		Standard colours		Standard colours	
Silver	01	White	02	White	02	White	02
White	02	Grey	03	Grey	03	Grey	03
Grey	03	Dark brown	08	Dark brown	08	Dark brown	08
Dark brown	08	Brown	09	Brown	09	Brown	09
Brown	09	Anthracite grey	23	Anthracite grey	23	Anthracite grey	23
Anthracite grey	23	Nut Brown	28	Nut Brown	28	Nut Brown	28R
Nut Brown	28	Golden Oak	30	Golden Oak	30	Golden Oak	30R
Golden Oak	30	Special colours		Special colours		Special colours	
Special colours		Silver	01	Silver	01	Silver	01
Black	20	Black	20	Anthracite Grey	23R	Anthracite Grey	23R
Light grey	31	Anthracite Grey	23R	Nut Brown	28R	Basalt grey	33
Basalt grey	33	Nut Brown	28R	Golden Oak	30R	White pearl mat	40
Quartz grey	34	Golden Oak	30R	White pearl mat	40	Anthracite grey pearl mat	43
Concrete grey	35	Quartz grey	34	Anthracite grey pearl mat	43	Winchester	52R
Dark Oak	36	White pearl mat	40	Winchester	52R	Dark Oak	53R
Grey aluminium	37	Anthracite grey pearl mat	43	Dark Oak	53R	Bleached oak***	79R
White pearl mat*	40	Winchester	52R	Bleached oak	79R	Anthracite quartz F4361014	-
Anthracite grey pearl mat*	43	Dark Oak	53R	Anthracite quartz F4361014	-	Black Ulti-Matt 47097	-
Turner oak*	49	Bleached oak	79R	Black Ulti-Matt 47097	-	Woodec Turner Oak Malt	-
Winchester	52	Anthracite quartz F4361014	-	Woodec Turner Oak Malt	-	Woodec turner oak toffee	-
Bleached oak*	79	Black Ulti-Matt 47097	-	Woodec turner oak toffee	-	Antracite grey 4365003	-
Woodec Turner Oak Malt**	-	Woodec Turner Oak Malt	-	Antracite grey 4365003	-	Dark Grey Silk 4367003	-
Woodec Turner Oak Toffee**	-	Woodec turner oak toffee	-	Dark Grey Silk 4367003	-	Walnut 2178007	-
Metalic grey*	75	Antracite grey 4365003	-	Walnut 2178007	-	Winchester 49240	-
Steel blue	18	Dark Grey Silk 4367003	-	Winchester 49240	-	Golden oak 2178001	-
Green	13	Walnut 2178007	-	Golden oak 2178001	-	Smooth Basalt Grey 701205083	-
		Winchester 49240	-	Smooth Basalt Grey 701205083	-	Agate grey 703805	-
		Golden oak 2178001	-	Agate grey 703805	-	Smooth silver grey 715505083	-
		Smooth Basalt Grey 701205083	-	Smooth silver grey 715505083	-	Silver grey 715505	-
		Agate grey 703805	-	Silver grey 715505	-	Earl platin 1293010	-
		Smooth silver grey 715505083	-	Earl platin 1293010	-	Anthracite Grau Matt F470-6003	-
		Silver grey 715505	-	Anthracite Grau Matt F470-6003	-	Natural oak 3118076	-
		Earl platin 1293010	-	Natural oak 3118076	-	JetBlack 4467062	-
		Anthracite Grau Matt F470-6003	-	JetBlack 4467062	-	Green 600505	-
		Natural oak 3118076	-	Green 600505	-	RAL 9007	-
		JetBlack 4467062	-	RAL 9007	-	RAL 9006	-



END SLAT		TRACKS		ACCESS COVER	
Special colours		Special colours		Special colours	
Green 600505	-	RAL 9006	-	RAL 9005	-
RAL 9007	-	RAL 9005	-	RAL 7039	-
RAL 9006	-	RAL 7039	-	RAL 7023	-
RAL 9005	-	RAL 7023	-	RAL 7012	-
RAL 7039	-	RAL 7012	-	RAL 8003	-
RAL 7023	-	RAL 8003	-	RAL 1013	-
RAL 7012	-	RAL 1013	-	RAL 7038	-
RAL 8003	-	RAL 7038	-	RAL 7016	-
RAL 1013	-	RAL 7016	-	RAL 7024	-
RAL 7038	-	RAL 7024	-	RAL 1001	-
RAL 7016	-	RAL 1001	-	RAL MODERN GRAPHITE	-
RAL 7024	-	RAL MODERN GRAPHITE	-	RAL 8014	-
RAL 1001	-	RAL 8014	-	RAL MODERN BLACK	-
RAL MODERN GRAPHITE	-	RAL MODERN BLACK	-	RAL ANTHRACITE	-
RAL 8014	-	RAL ANTHRACITE	-	RAL 7047	-
RAL MODERN BLACK	-	RAL 7047	-	RAL 5011	-
RAL ANTHRACITE	-	RAL 5011	-	RAL 7035	-
RAL 7047	-	RAL 7035	-		
RAL 5011	-				
RAL 7035	-				

PLEASE NOTE

Curtain colours marked with the asterisk symbol * are not available with the PA43 curtain.

Guide rail colours include the standard guide rails PP53/S and PPD79/S.

Curtain colours marked with the double asterisk symbol ** are only available with the BP41R-0 curtain.

*** except box size 205 mm

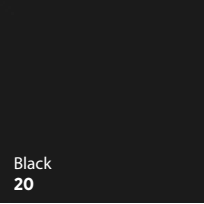



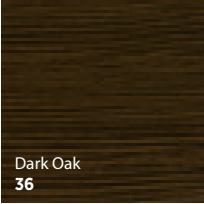



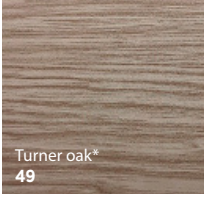


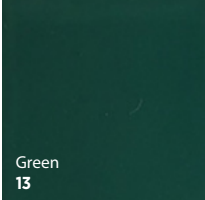
The colour hue of the film coating of roller shutters and window joinery may differ.

Curtain - standard colours





Curtain – special colours

 <p>Black 20</p>	 <p>Light grey 31</p>	 <p>Basalt grey 33</p>	 <p>Quartz grey 34</p>	 <p>Concrete grey 35</p>	 <p>Dark Oak 36</p>
 <p>Grey aluminium 37</p>	 <p>White pearl mat 40</p>	 <p>Anthracite grey pearl mat 43</p>	 <p>Winchester 52</p>	 <p>Bleached oak 79</p>	 <p>Turner oak* 49</p>
 <p>Woodec Turner Oak Toffee</p>	 <p>Woodec Turner Oak Malt</p>	 <p>Green 13</p>			



PROTECTA N ROLLER SHUTTERS

Technical information

The Protecta N roller shutters are a system of roller shutters where the box and the guide rails are made of PVC. The curtain is made up of profiles from aluminium sheet infilled with freon-free polyurethane foam and finished with an end slat. The curtain sheet is covered with two layers of paint, which improves the curtain's resistance to abrasion, scratches, and the weather conditions.

Top-mount roller shutters can be installed both in newly built buildings, as well as in renovated buildings when the window joinery is replaced. The roller shutter box is seated on the window using a special adaptation profile, the guide rails are screwed directly to the window frame, and then this combination is installed and anchored as a single structure in the window opening. The height of the window in relation to the window opening should be decreased by the height of the top-mount roller shutter box. The inside of the box is additionally insulated with expanded polystyrene for improved thermal insulation. The boxes can be installed from the outside and from the inside of the room, which makes them an integral part of the inside or the façade of the building.

The access door is located inside the room, and the broad range of colours makes it possible to match it with the window colour.

Thanks to the option to integrate the Protecta N roller shutters with a mosquito screen, the home interior is not only protected against high solar exposure in the summer and loss of heat in the winter, but the roller shutters also ensure effective protection against insects.



Structure of the Protecta N roller shutter

Standard accessories

- 6 non-perforated slats from the top
- steel/PVC soft hangers with felt
- end slat 51 mm high
- end slat conical stoppers 30mm, with MKT 18 mm
- PVC guide rails with a brush seal
- Guide rails can be cut at a 5° angle
- installation anchors
- side cover and window frame connector
- extruded polystyrene thermal insulation
- the top end position is set in the power operated version
- rubber cable gland
- tape winder in colour: white / brown

Box sizes – Protecta N roller shutter

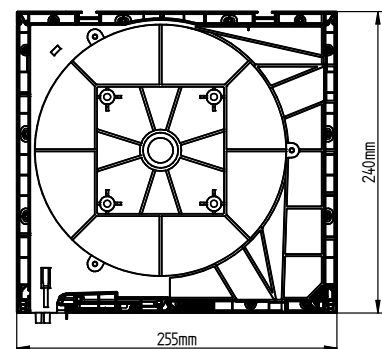
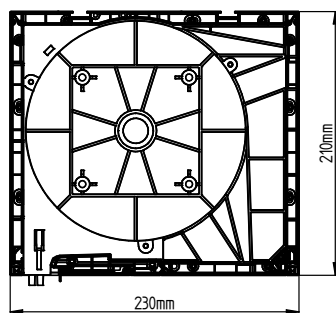
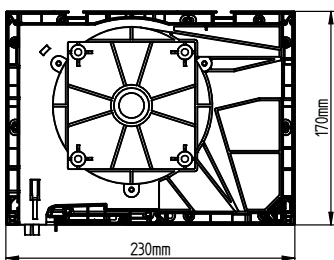
230/170

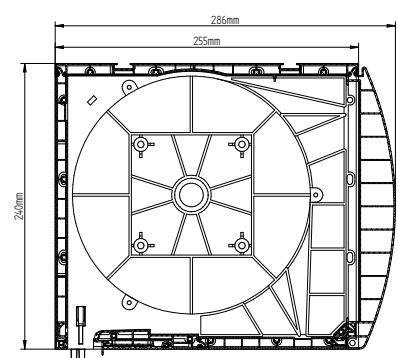
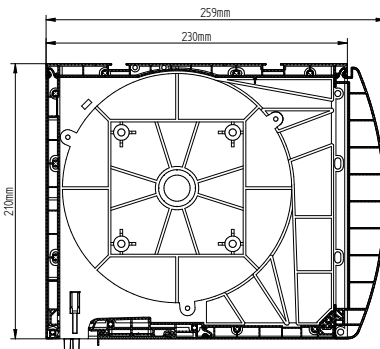
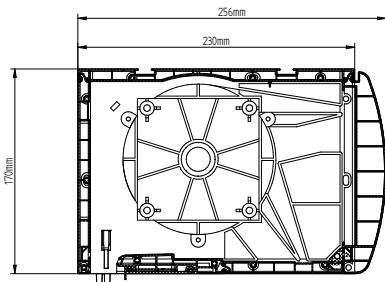


230/210



255/240

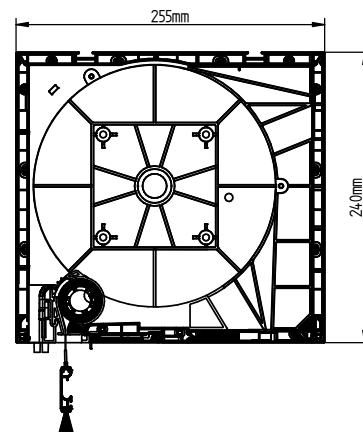
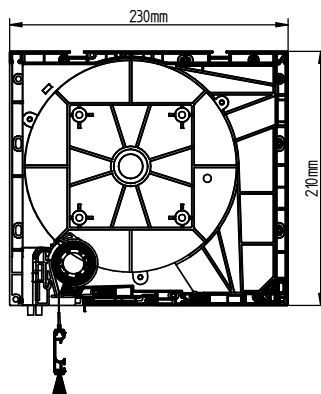
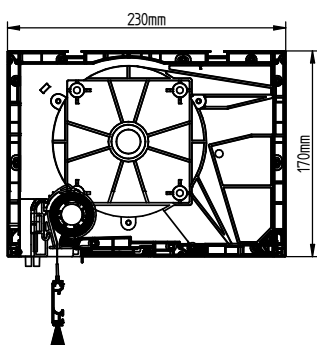




Maximum height including the box for the Protecta N roller shutter [mm]							
Box size	Curtain PA39				Curtain PA43		
	SW40 + WB	SW40	SW60 + WB	SW60	SW40	SW60	SW60 + WB
230/170 (OC)	1,890	1,690	1,730	1,570	1,720	1,590	1,460
230/210 (OC)	3,230	3,310	3,270	3,040	3,120	3,080	3,250
255/240 (OC)	4,460	4,770	4,460	4,420	4,680	4,210	4,420

SW - octagonal steel tube with an internal/external weld
 WB - self-locking hanger
 OC - box thermal insulation (expanded polystyrene)

Box dimensions – Protecta N roller shutter with a mosquito screen





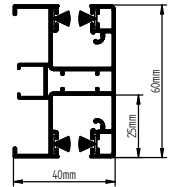
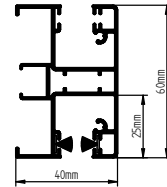
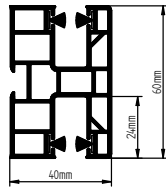
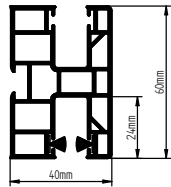
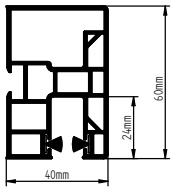
Maximum height including the box for the Protecta N roller shutter with a mosquito screen [mm]

Box size	Curtain PA39				Curtain PA43		
	SW40 + WB	SW40	SW60 + WB	SW60	SW40	SW60	SW60 + WB
230/170 (OCM)	1,600	1,460	1,220	1,260	1,460	1,250	1,290
230/210 (OCM)	1,700	1,700	1,700	1,700	1,700	1,700	1,700
255/240 (OCM)	1,700	1,700	1,700	1,700	1,700	1,700	1,700

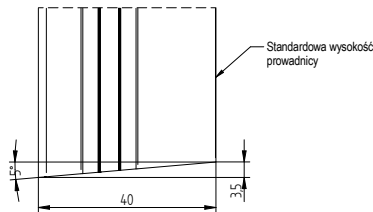
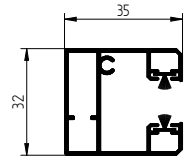
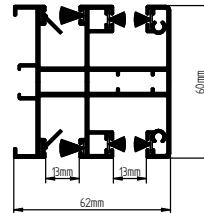
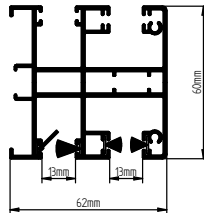
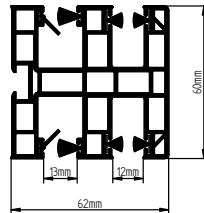
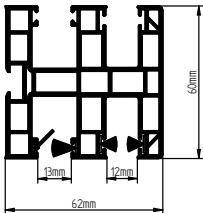
SW - octagonal steel tube with an internal/external weld
 WB - self-locking hanger
 OCM - thermal insulation of a box with a mosquito screen (expanded polystyrene)

Guide rail types

PP 60/12 PPD 60/12 PPD-P 60/12 PPDA 60/12 PPDA-P 60/12



PPDMW 60/12 PPDMW-P 60/12 PPDAMW 60/12 PPDAMW-P 60/12 PPAMB 35/12



When the option to cut the guide rails at a 5° angle is selected, the rear wall of the guide rail will be cut to standard length, while the length of the front wall will be extended by 3.5 [mm].



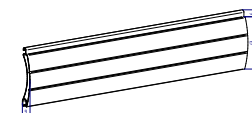
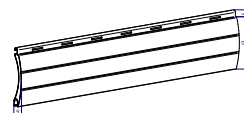
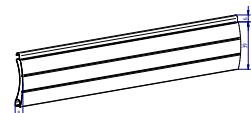
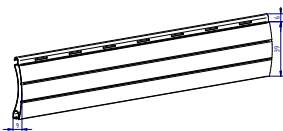
Curtain

PA 39

PA 39

PA 43

PA 43



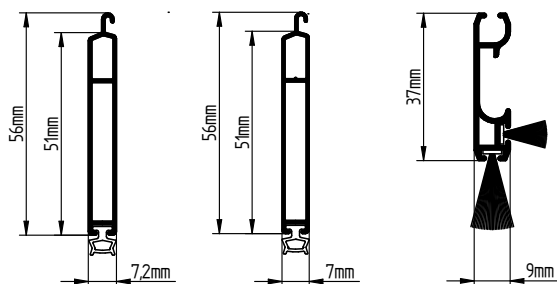
	Technical data	
	PA 39	PA 43
Slat height	39 mm	43 mm
Weight 1 m²	2.8 kg	2.6 kg
Slats per metre of height	25.6 pieces	23.2 pieces
Max. roller shutter surface	6 m ²	9 m ²

End slats

LDG

LDG-E

LDSM MKT



The type of end slats depends on the colour

Colour Slat	00	01	02	03	05	08	09	20	23	23R	28	28R	30	30R	34	40	43	52R	53R	79R
LDG	x	x	x	x	-	x	x	-	x	x	-	x	-	x	x	x	x	x	x	-
LDG-E	x	-	-	-	-	-	-	x	-	-	x	-	x	-	-	-	-	-	-	x
LDSM MKT	x	x	x	x	x	x	x	-	x	-	-	x	x	x	-	-	-	x	-	-

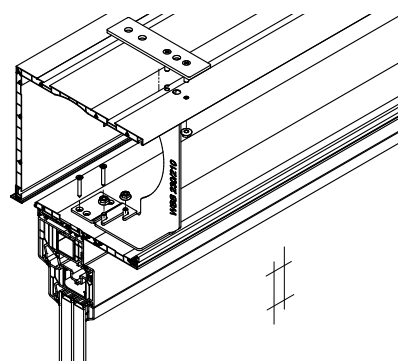
Default roller shutters configuration in golden oak and walnut colour

PROTECTA N				
Roller shutter type	Curtain	Guide rails	End slat	Revision
Walnut	Aluprof 28 - varnish	Veneer 2178007	Veneer 2178007	Veneer 2178007
Golden oak	Aluprof 30 - varnish	Veneer 2178001	Veneer 2178001	Veneer 2178001

WSS reinforcement

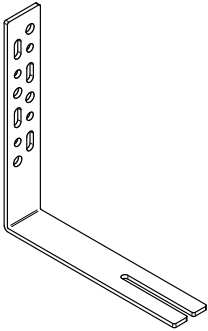
Quantity of WSS reinforcement pieces depending on the roller shutter width

Quantity of WSS reinforcement pieces		pcs.	1	2	3	4	5	6	7
Window width	PVC	mm	1,401-2,100	2,101-2,800	2,801-3,500	3,501-4,200	4,201-4,900	4,901-5,600	5,601-6,000
	Aluminium/wood	mm	1,601-2,400	2,401-3,200	3,201-4,000	4,001-4,800	4,801-5,600	5,601-6,000	-
	Sliding	mm	1,001-1,500	1,501-2,000	2,001-2,500	2,501-3,000	3,001-3,500	3,501-4,000	4,001-4,500

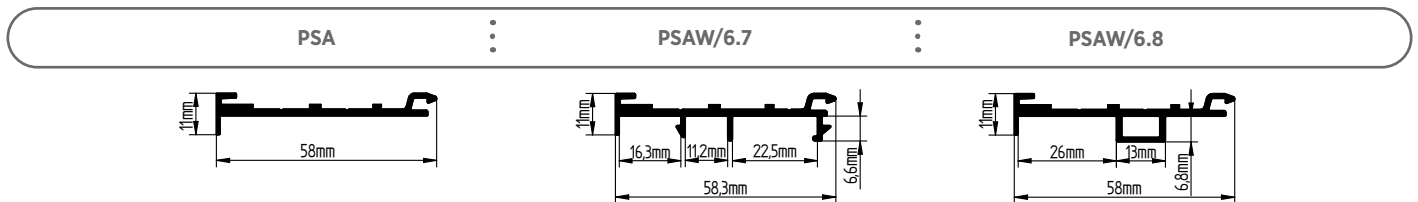




Mounting plate



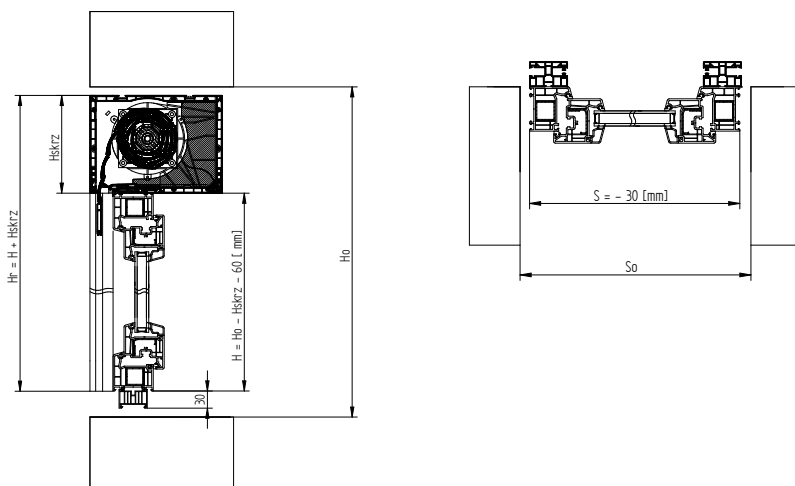
Adaptation profiles



System	Adapter
PRIMO 82 Windows	PSAW/6.7
Primo 82 HST Skymotion	PSAW/6.7
PRIMO 76 Windows	PSAW/6.7
Primo 76 Renovation frame 101.359	PSA
Primo 70 Standard frame	PSAW/6.7
Primo 70 Renovation frames	PSA
Primo 70 Monoblock frames	PSA
Develo	PSAW/6.8

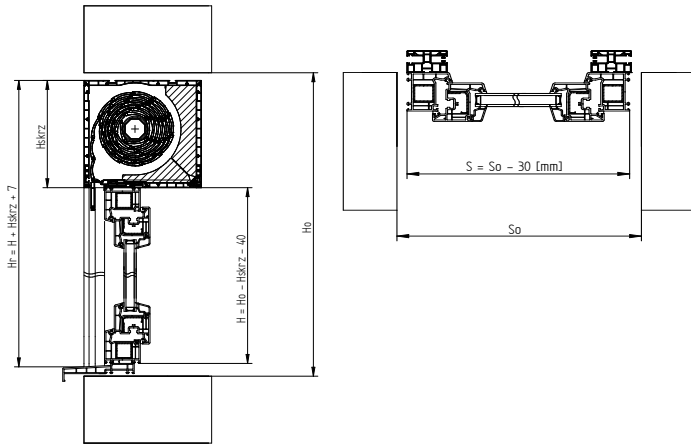
Dimensioning the Protecta N roller shutters with fully exposed installation or installation on the frames

For the PRIMO 70 window, fully exposed

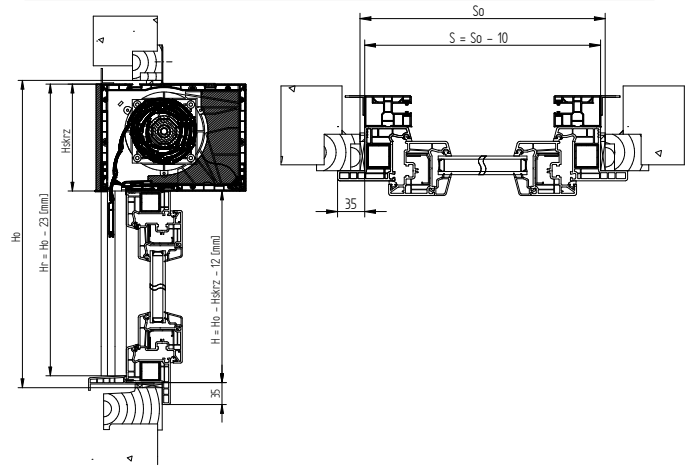




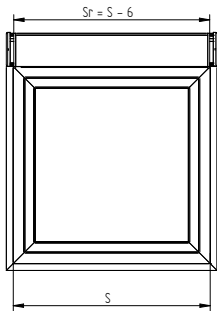
 Assembly 110.105 with roller blind



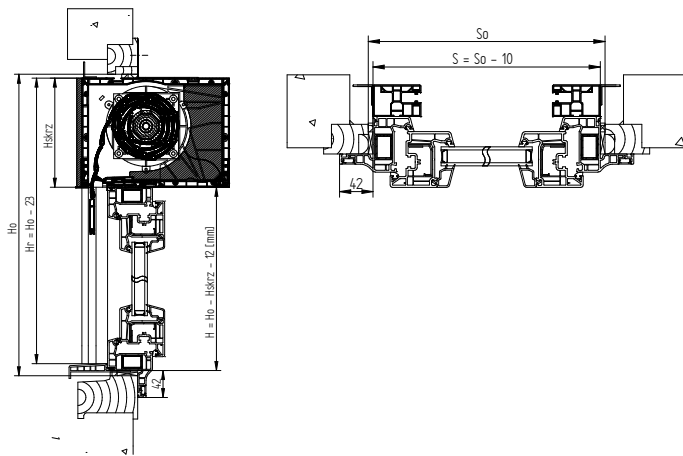
 Assembly 101.218 with roller blind



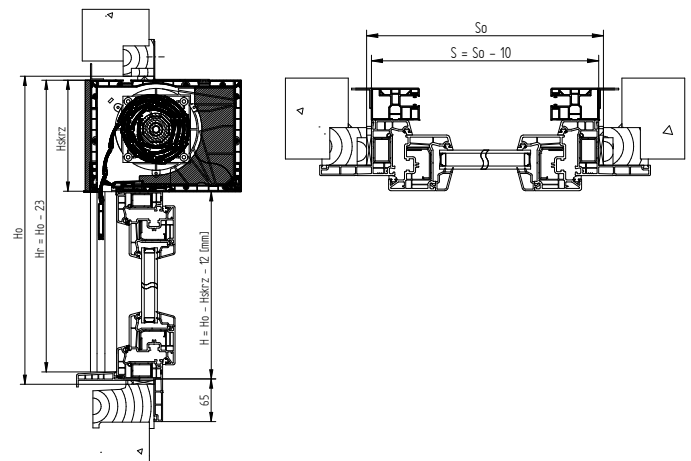
 External view of window + roller shutter - Dimensioning for tape



 Assembly 101.043 with roller blind

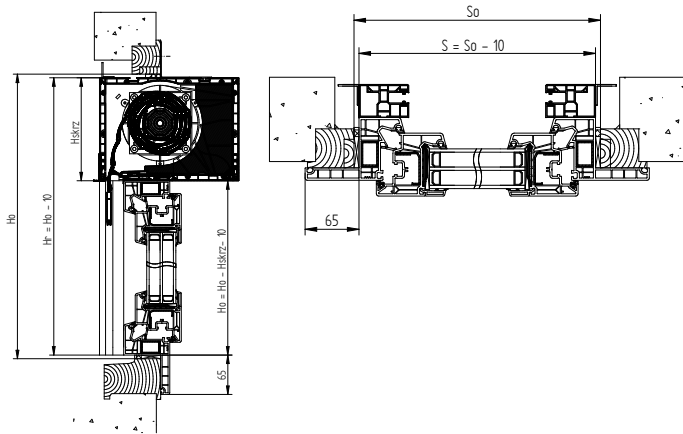


 Assembly 101.053 with roller blind

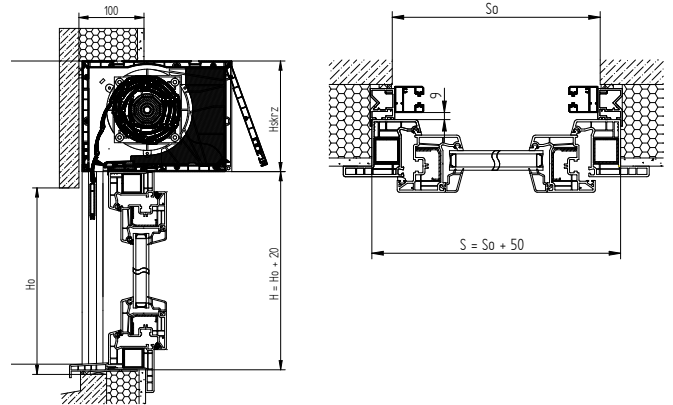




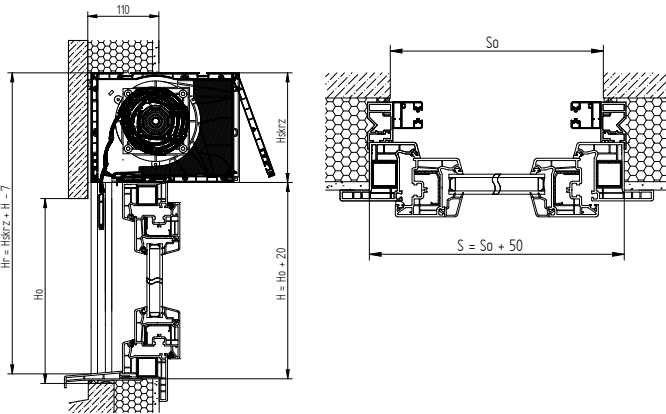
 Assembly 101.359 with roller blind



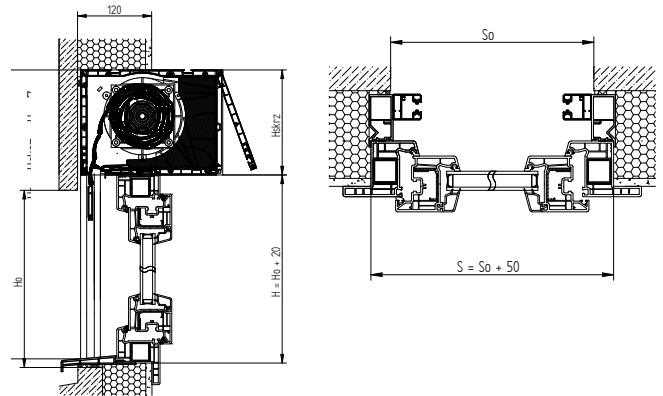
 ISO 100



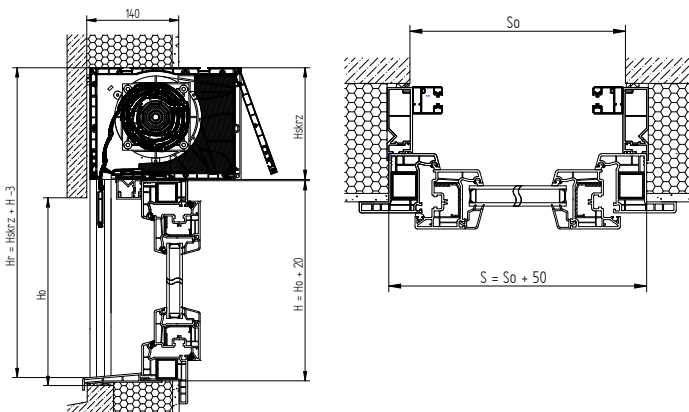
 ISO 110



 ISO 120



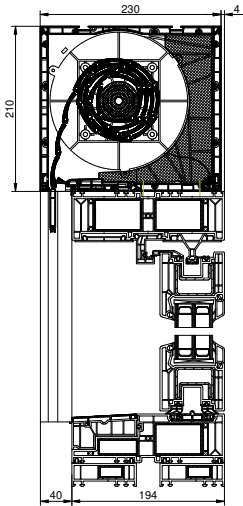
 ISO 140



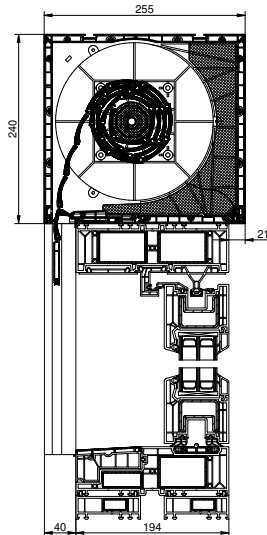


Installation of Protecta N roller shutter on HST

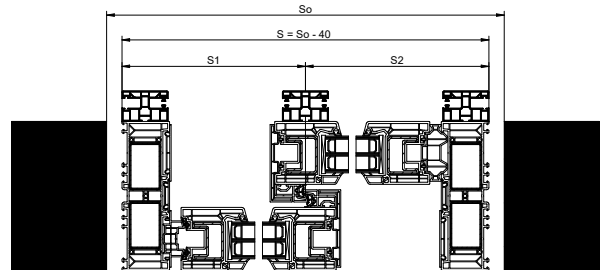
Protecta N 230x210



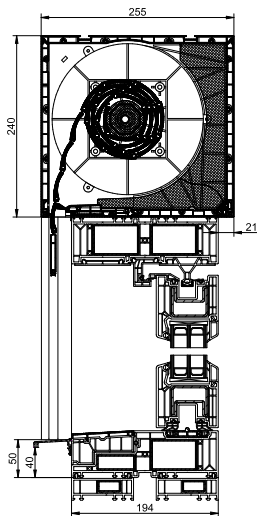
Protecta N 255x240



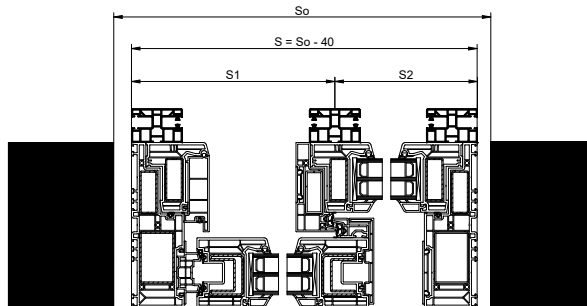
HST VEKAMOTION + roller shutter division - horizontal cross-section



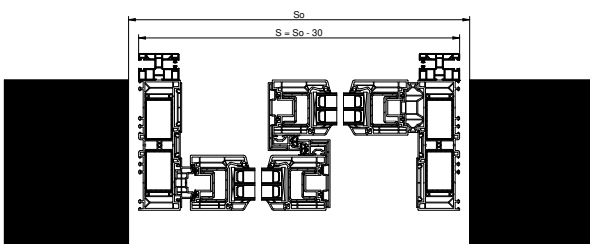
HST VEKAMOTION + box 240 vertical section



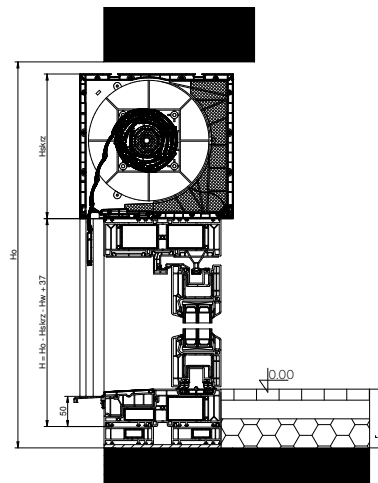
HST VEKAMOTION Max + roller shutter division - horizontal cross-section



HST VEKAMOTION + roller shutter Horizontal dimensioning

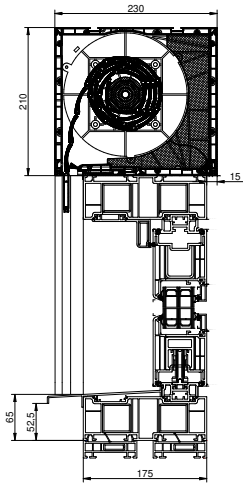


HST VEKAMOTION + roller shutter Dimensioning

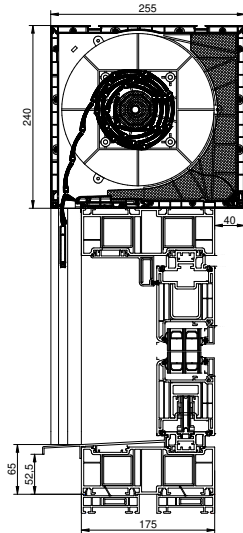




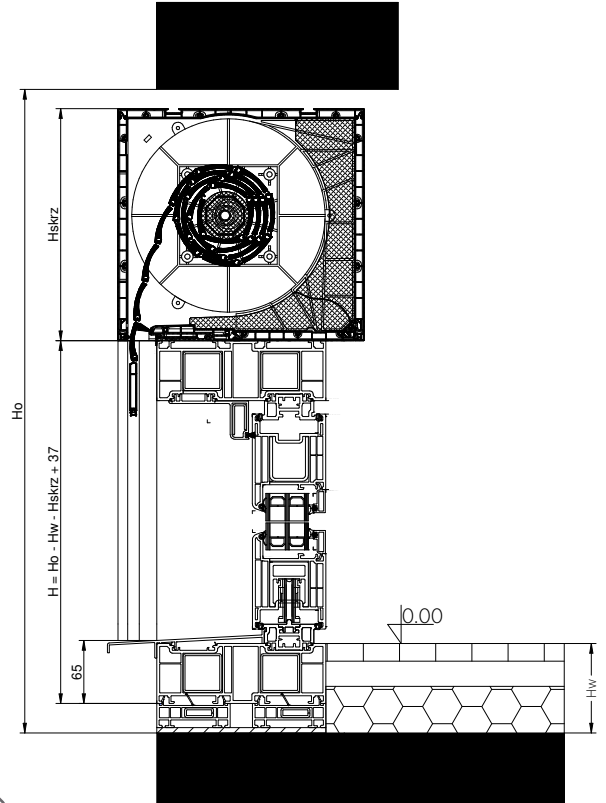
HST Develo + box 210 vertical section



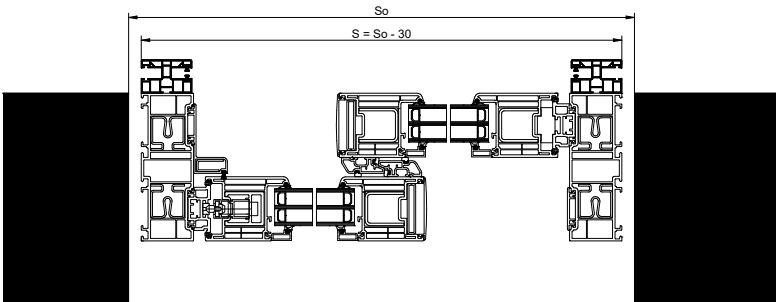
HST Develo + box 240 vertical section



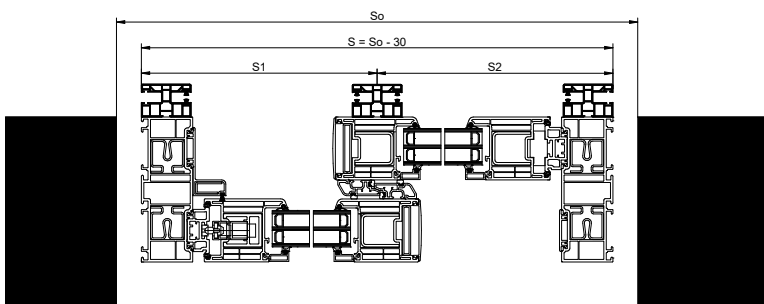
HST Develo + roller shutter Dimensioning



HST Develo + roller shutter Horizontal dimensioning



HST Develo+ roller shutter - horizontal dimensioning





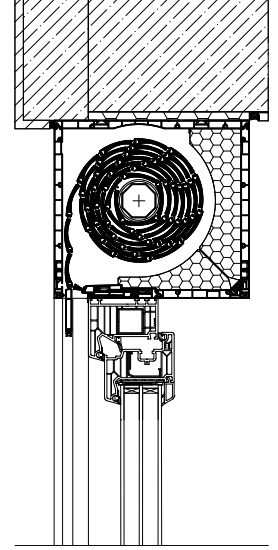
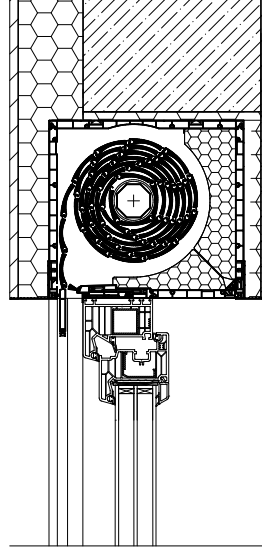
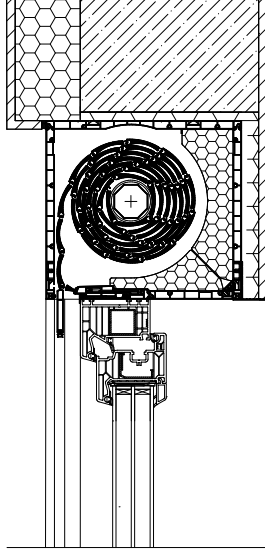
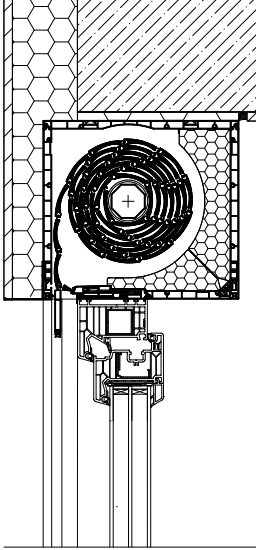
Protecta N system roller shutter installation methods

Roller shutter box covered from the outside, access cover from the bottom or front

•
•
•
Roller shutter box covered from the inside, access cover from the bottom

•
•
•
Roller shutter box covered from the outside and inside, access cover from the bottom

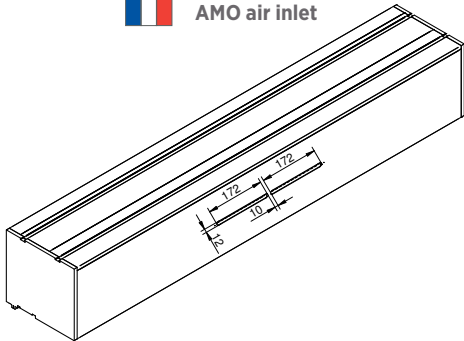
•
•
•
Roller shutter box, fully exposed, access cover from the bottom or front



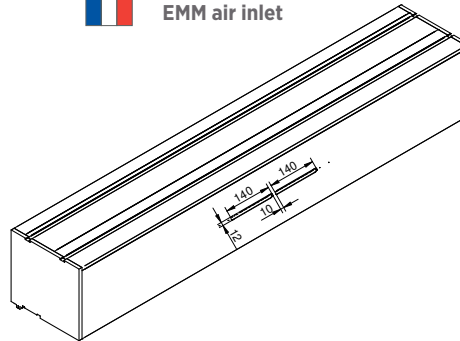


Milling for air inlets in the roller shutter box

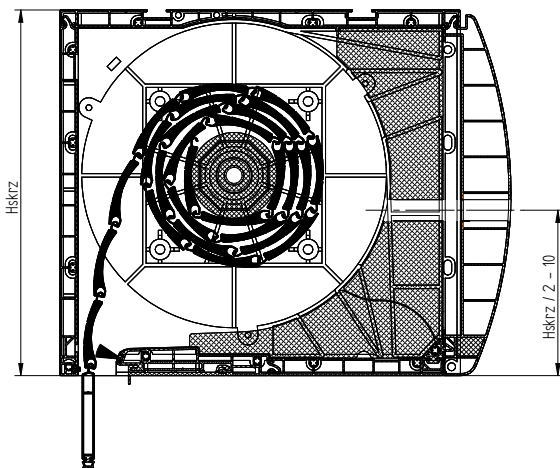
 AMO air inlet



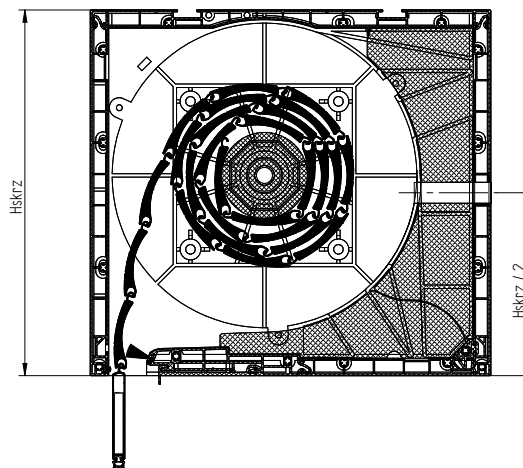
 EMM air inlet



 Rounded box with an air inlet



 Straight box with an air inlet





Colours

CURTAIN		END SLAT		TRACKS		BOX ELEMENTS	
Standard colours		Standard colours		Standard colours		Standard colours	
Silver	01	Silver	01	White	02	White	02
White	02	White	02	Dark brown	08	Dark brown	08
Grey	03	Grey	03	Anthracite Grey	23R	Anthracite Grey	23R
Dark brown	08	Dark brown	08	Nut Brown	28R	Nut Brown	28R
Brown	09	Brown	09	Golden Oak	30R	Golden Oak	30R
Anthracite grey	23	Anthracite grey	23	Winchester	52R	Winchester	52R
Nut Brown	28	Nut Brown	28	Dark Oak	53R	Dark Oak	53R
Golden Oak	30	Golden Oak	30	Special colours		Special colours	
Special colours		Special colours		Dark grey silk	25R	Anthracite quartz F4361014	-
Black	20	Black	20	Basalt grey	33R	Black Ulti-Matt 47097	-
Light grey	31	Anthracite Grey	23R	Chocolate brown	55R	Woodec Turner Oak Malt	-
Basalt grey	33	Nut Brown	28R	Silver grey	57R	Woodec turner oak toffee	-
Quartz grey	34	Golden Oak	30R	Anthracite quartz F4361014	-	Antracite grey 4365003	-
Concrete grey	35	Quartz grey	34	Black Ulti-Matt 47097	-	Dark Grey Silk 4367003	-
Dark Oak	36	White pearl mat	40	Woodec Turner Oak Malt	-	Walnut 2178007	-
Grey aluminium	37	Anthracite grey pearl mat	43	Woodec turner oak toffee	-	Winchester 49240	-
White pearl mat*	40	Winchester	52R	Antracite grey 4365003	-	Golden oak 2178001	-
Anthracite grey pearl mat*	43	Dark Oak	53R	Dark Grey Silk 4367003	-	Smooth Basalt Grey 701205083	-
Turner oak*	49	Bleached oak	79R	Walnut 2178007	-	Agate grey 703805	-
Winchester	52	Anthracite quartz F4361014	-	Winchester 49240	-	Smooth silver grey 715505083	-
Bleached oak	79	Black Ulti-Matt 47097	-	Golden oak 2178001	-	Silver grey 715505	-
Metalic grey*	75	Woodec Turner Oak Malt	-	Smooth Basalt Grey 701205083	-	Earl platin 1293010	-
Steel blue	18	Woodec turner oak toffee	-	Agate grey 703805	-	Anthracite Grau Matt F470-6003	-
Green	13	Antracite grey 4365003	-	Smooth silver grey 715505083	-	Natural oak 3118076	-
		Dark Grey Silk 4367003	-	Silver grey 715505	-	JetBlack 4467062	-
		Walnut 2178007	-	Earl platin 1293010	-	Green 600505	-
		Winchester 49240	-	Anthracite Grau Matt F470-6003	-		
		Golden oak 2178001	-	Natural oak 3118076	-		
		Smooth Basalt Grey 701205083	-	JetBlack 4467062	-		
		Agate grey 703805	-	Green 600505	-		
		Smooth silver grey 715505083	-				
		Silver grey 715505	-				
		Earl platin 1293010	-				
		Anthracite Grau Matt F470-6003	-				
		Natural oak 3118076	-				
		JetBlack 4467062	-				



END SLAT	
Special colours	
Green 600505	-
RAL 9007	-
RAL 9006	-
RAL 9005	-
RAL 7039	-
RAL 7023	-
RAL 7012	-
RAL 8003	-
RAL 1013	-
RAL 7038	-
RAL 7016	-
RAL 7024	-
RAL 1001	-
RAL MODERN GRAPHITE	-
RAL 8014	-
RAL MODERN BLACK	-
RAL ANTHRACITE	-
RAL 7047	-
RAL 5011	-
RAL 7035	-

PLEASE NOTE

Curtain colours marked with the asterisk symbol * are not available with the PA43 curtain. Guide rail colours include the standard guide rails PPD60/12.

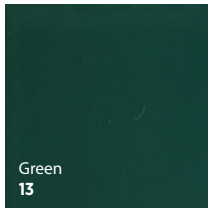
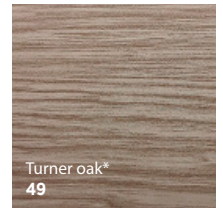
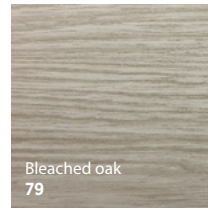
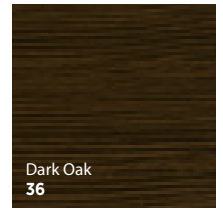
The colour hue of the film coating of roller shutters and window joinery may differ.

Curtain – standard colours





Curtain – special colours





PROTECTA S ROLLER SHUTTERS

Technical information

The Protecta S roller shutters are a system where the box is made of a special material providing very good thermal characteristics, and it is available in two sizes: 260 x 260 mm and 300 x 300 mm. The guide rails are made of PVC, while the curtain is made up of profiles from aluminium sheet infilled with freon-free polyurethane foam and finished with an end slat. The curtain sheet is covered with two layers of paint, which improves the curtain's resistance to abrasion, scratches, and the weather conditions.

The Protecta S roller shutters can be installed both in newly built buildings, as well as in renovated buildings when the window joinery is replaced. The roller shutter box is seated on the window using a special adaptation profile, the guide rails are screwed directly to the window frame, and then this combination is installed and anchored as a single structure in the window opening. The height of the window in relation to the window opening should be decreased by the height of the top-mount roller shutter box. The box structure provides excellent thermal insulation.

Another advantage of this product is the option to choose whether the access door is mounted from the inside or outside of the room, which is crucial for servicing.

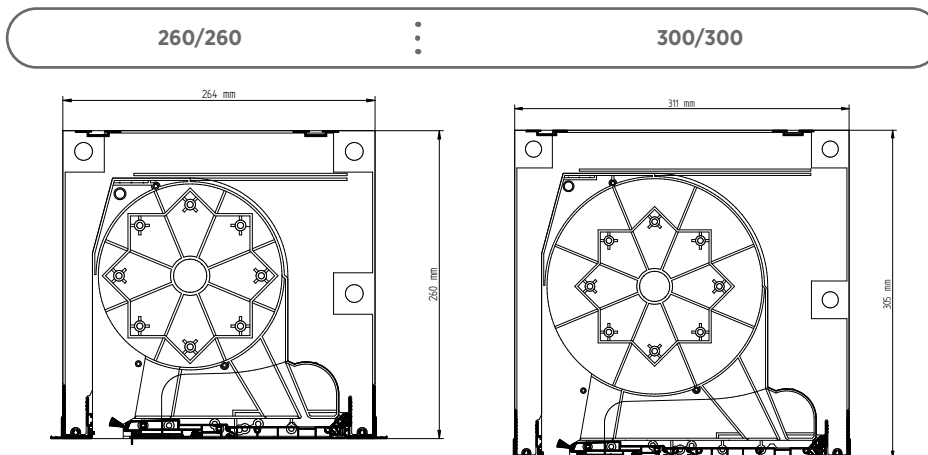


Structure of the Protecta S roller shutter

Standard accessories

- 6 non-perforated slats from the top
- steel/PVC soft hangers with felt
- end slat 51 mm high
- end slat conical stoppers 30 mm
- PVC guide rails with a brush seal
- guide rails can be cut at a 5° angle
- installation anchors
- the top end position is set in the power operated version
- rubber cable gland
- tape winder in colour: white / brown

Box sizes – Protecta S roller shutter



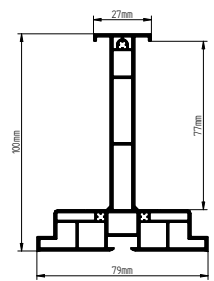
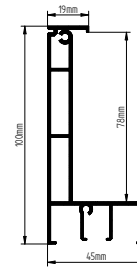
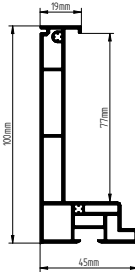
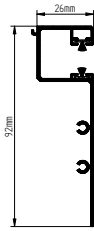
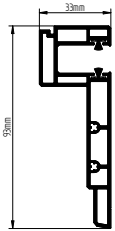


Maximum height including the box for the Protecta S roller shutter [mm]							
Box size	Curtain PA39				Curtain PA43		
	SW40 + WB	SW40	SW60 + WB	SW60	SW40	SW60	SW60 + WB
260	2,930	2,930	2,700	2,510	2,620	2,400	2,530
300	4,590	4,590	4,400	4,200	4,700	4,230	4,400

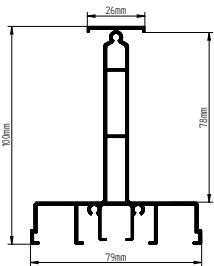
Guide rail types

Access door outside

- PPRA/12
- ⋮
- PPARA/12
- ⋮
- APPRA45
- ⋮
- APPARA45
- ⋮
- APPDRA79

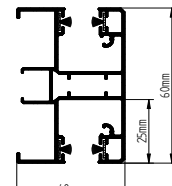
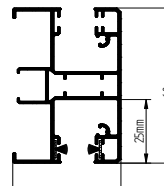
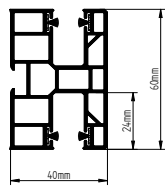
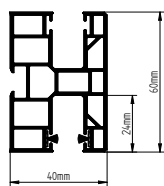
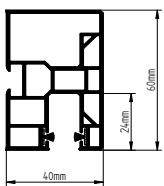


- APPDARA79



Access door inside

- PP60/12
- ⋮
- PPD60/12
- ⋮
- PPD-P60/12
- ⋮
- PPDA60/12
- ⋮
- PPDA-P60/12





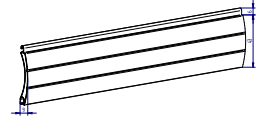
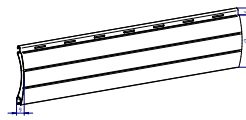
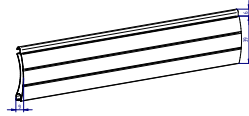
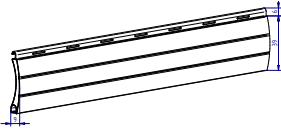
Curtains

PA 39

PA 39

PA 43

PA 43



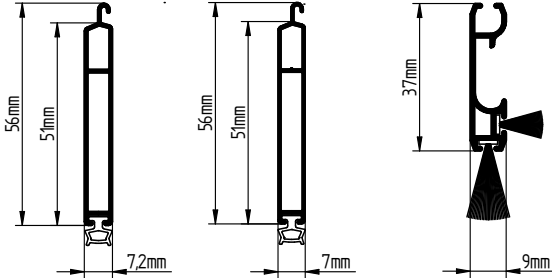
	Technical data	
	PA 39	PA 43
Slat height	39 mm	43 mm
Weight 1 m²	2.8 kg	2.6 kg
Slats per metre of height	25.6 pieces	23.2 pieces
Max. roller shutter surface	6 m ²	9 m ²

End slats

LDG

LDG-E

LDSM MKT



The type of end slats depends on the colour																				
Colour Slat	00	01	02	03	05	08	09	20	23	23R	28	28R	30	30R	34	40	43	52R	53R	79R
LDG	x	x	x	x	-	x	x	-	x	x	-	x	-	x	x	x	x	x	x	-
LDG-E	x	-	-	-	-	-	-	x	-	-	x	-	x	-	-	-	-	-	-	x
LDSM MKT	x	x	x	x	x	x	x	-	x	-	-	x	x	x	-	-	-	x	-	-

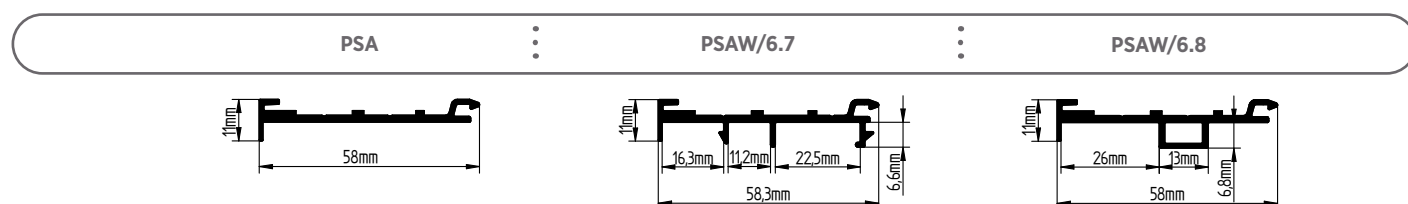
Default roller shutters configuration in golden oak and walnut colour				
Protecta S RI i RA				
Roller shutter type	Curtain	Guide rails	End slat	Revision
Walnut	Aluprof 28 - varnish	Veneer 2178007	Veneer 2178007	Veneer 2178007
Golden oak	Aluprof 30 - varnish	Veneer 2178001	Veneer 2178001	Veneer 2178001



WSS reinforcement

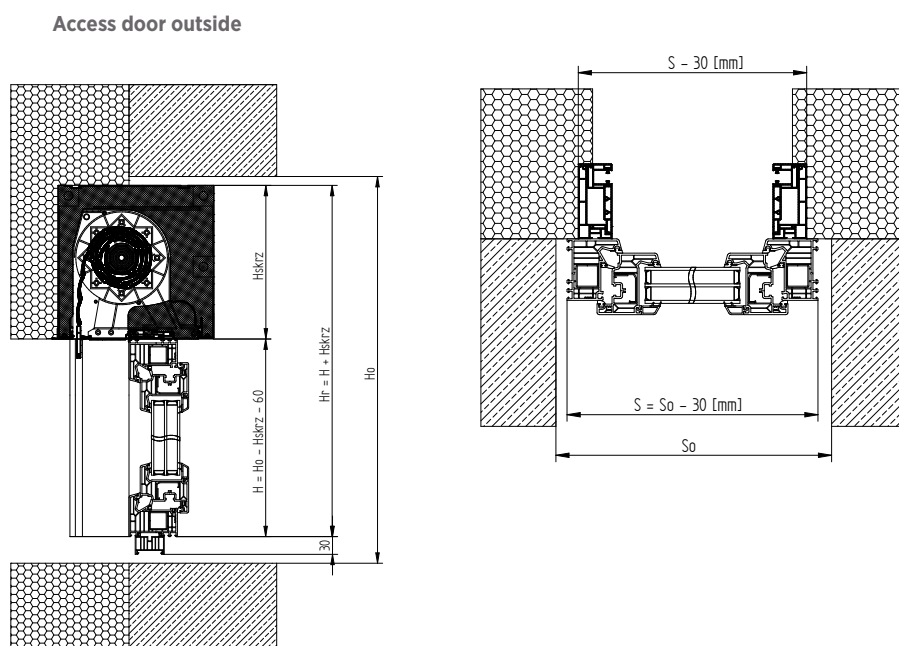
Quantity of WSS reinforcement pieces depending on the roller shutter width									
Quantity of WSS reinforcement pieces		pcs.	1	2	3	4	5	6	7
Window width	PVC	mm	1,401-2,100	2,101-2,800	2,801-3,500	3,501-4,200	4,201-4,900	4,901-5,600	5,601-6,000
	Aluminium/wood	mm	1,601-2,400	2,401-3,200	3,201-4,000	4,001-4,800	4,801-5,600	5,601-6,000	-
	Sliding	mm	1,001-1,500	1,501-2,000	2,001-2,500	2,501-3,000	3,001-3,500	3,501-4,000	4,001-4,500

Adaptation profiles



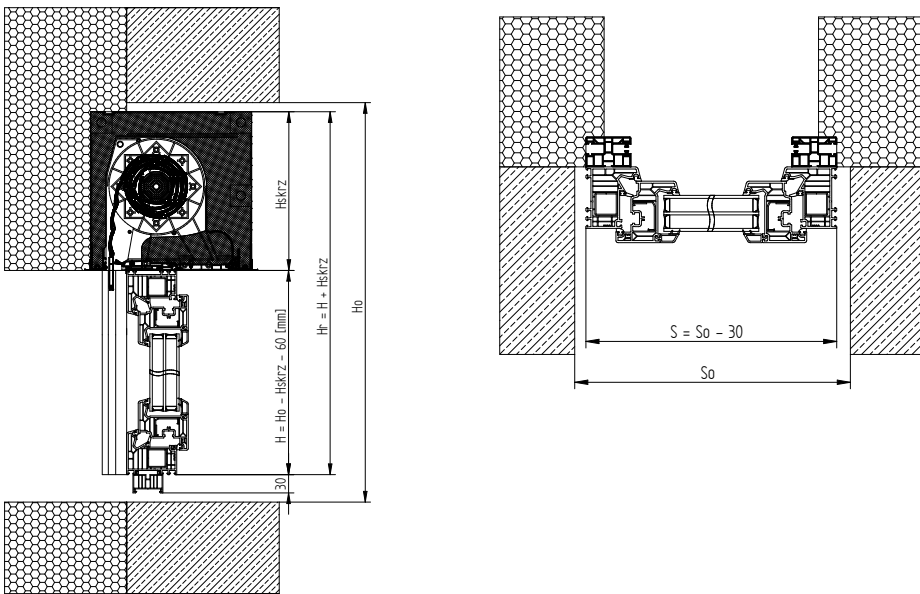
System	Adapter
PRIMO 82 Windows	PSAW/6.7
Primo 82 HST Skymotion	PSAW/6.7
PRIMO 76 Windows	PSAW/6.7
Primo 76 Renovation frame 101.359	PSA
Primo 70 Standard frame	PSAW/6.7
Develo	PSAW/6.8

Dimensioning the Protecta S roller shutters





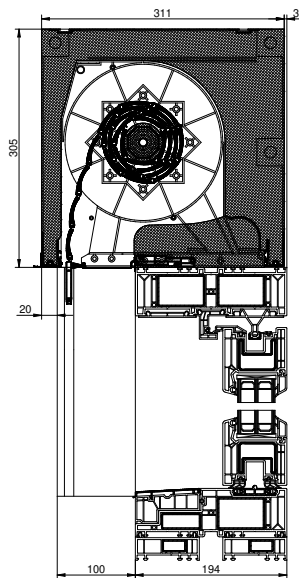
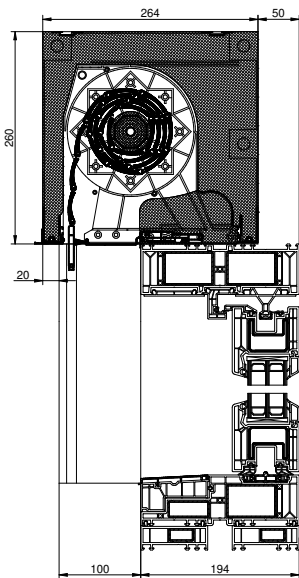
Access door inside



Installation of Protecta S roller shutter on HST

Protecta S RA 260

Protecta S RA 300





Colours

CURTAIN	
Standard colours	
Silver	01
White	02
Grey	03
Dark brown	08
Brown	09
Anthracite grey	23
Nut Brown	28
Golden Oak	30
Special colours	
Black	20
Light grey	31
Basalt grey	33
Quartz grey	34
Concrete grey	35
Dark Oak	36
Grey aluminium	37
White pearl mat*	40
Anthracite grey pearl mat*	43
Turner oak*	49
Winchester	52
Bleached oak*	79
Metalic grey*	75
Steel blue	18
Green	13

END SLAT	
Standard colours	
White	02
Grey	03
Dark brown	08
Brown	09
Anthracite grey	23
Nut Brown	28
Golden Oak	30
Special colours	
Silver	01
Black	20
Anthracite Grey	23R
Nut Brown	28R
Golden Oak	30R
Quartz grey	34
White pearl mat	40
Anthracite grey pearl mat	43
Winchester	52R
Dark Oak	53R
Bleached oak	79R
Antracyt quartz F4361014	-
Black Ulti-Matt 47097	-
Woodec Turner Oak Malt	-
Woodec turner oak toffee	-
Antracite grey 4365003	-
Dark Grey Silk 4367003	-
Walnut 2178007	-
Winchester 49240	-
Golden oak 2178001	-
Smooth Basalt Grey 701205083	-
Agate grey 703805	-
Smooth silver grey 715505083	-
Silver grey 715505	-
Earl platin 1293010	-
Antracyt Grau Matt F470-6003	-
Natural oak 3118076	-
JetBlack 4467062	-
Green 600505	-

RI GUIDE RAILS	
Standard colours	
White	02
Dark brown	08
Anthracite Grey	23R
Nut Brown	28R
Golden Oak	30R
Winchester	52R
Dark Oak	53R
Special colours	
Dark Grey Silk	25R
Smooth Basalt Grey	33R
Chocolate brown	55R
Silver grey	57R
Anthracite quartz F4361014	-
Black Ulti-Matt 47097	-
Woodec Turner Oak Malt	-
Woodec turner oak toffee	-
Antracite grey 4365003	-
Dark Grey Silk 4367003	-
Walnut 2178007	-
Winchester 49240	-
Golden oak 2178001	-
Smooth Basalt Grey 701205083	-
Agate grey 703805	-
Smooth silver grey 715505083	-
Silver grey 715505	-
Earl platin 1293010	-
Antracyt Grau Matt F470-6003	-
Natural oak 3118076	-
JetBlack 4467062	-
Green 600505	-

RA GUIDE RAILS	
Standard colours	
White	02
Dark brown	08
Anthracite Grey	23R
Nut Brown	28R
Golden Oak	30R

RI BOX ELEMENTS	
Standard colours	
White	02
Dark brown	08
Anthracite Grey	23R
Nut Brown	28R
Golden Oak	30R
Winchester	52R
Dark Oak	53R
Special colours	
Anthracite quartz F4361014	-
Black Ulti-Matt 47097	-
Woodec Turner Oak Malt	-
Woodec turner oak toffee	-
Antracite grey 4365003	-
Dark Grey Silk 4367003	-
Walnut 2178007	-
Winchester 49240	-
Golden oak 2178001	-
Smooth Basalt Grey 701205083	-
Agate grey 703805	-
Smooth silver grey 715505083	-
Silver grey 715505	-
Earl platin 1293010	-
Anthracite Grau Matt F470-6003	-
Natural oak 3118076	-
JetBlack 4467062	-
Green 600505	-

RA BOX ELEMENTS	
Standard colours	
White	02
Dark brown	08
Anthracite Grey	23R
Nut Brown	28R
Golden Oak	30R



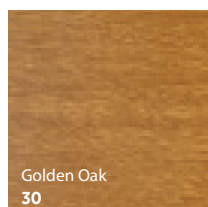
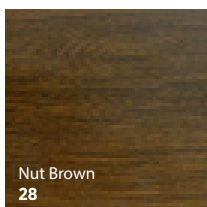
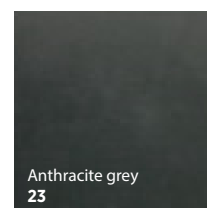
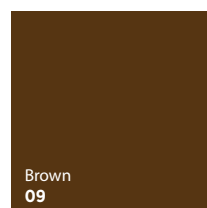
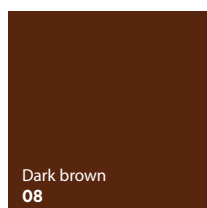
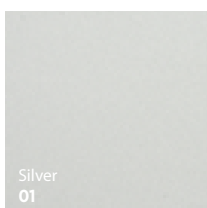
END SLAT	
Special colours	
RAL 9007	-
RAL 9006	-
RAL 9005	-
RAL 7039	-
RAL 7023	-
RAL 7012	-
RAL 8003	-
RAL 1013	-
RAL 7038	-
RAL 7016	-
RAL 7024	-
RAL 1001	-
RAL MODERN GRAPHITE	-
RAL 8014	-
RAL MODERN BLACK	-
RAL ANTHRACITE	-
RAL 7047	-
RAL 5011	-
RAL 7035	-

PLEASE NOTE

Curtain colours marked with the asterisk symbol * are not available with the PA43 curtain.
 Guide rail colours include the standard guide rails PPD60/12.

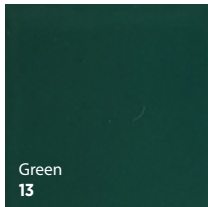
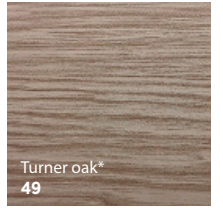
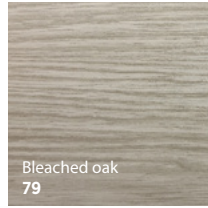
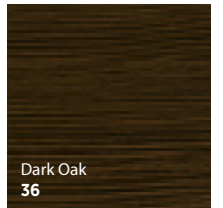
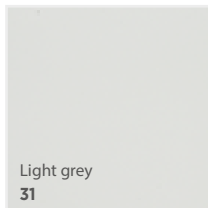
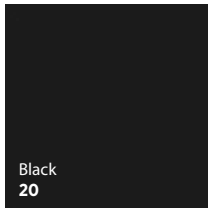
The colour hue of the film coating of roller shutters and window joinery may differ.

Curtain – standard colours



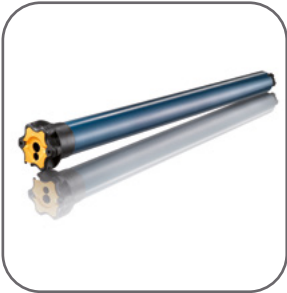


Curtain – special colours



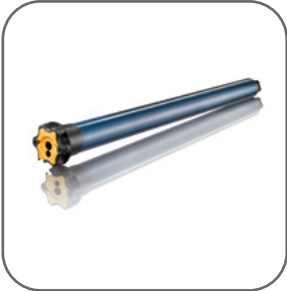


Somfy automatic operating units



Somfy Solus 2PA

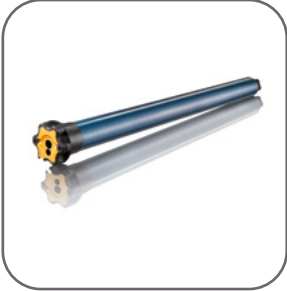
Wired motor with mechanical limit switches, controlled with a pushbutton switch. Limit switch position is adjusted with hex key knobs.



Somfy Solus P&P VVF

Wired motor with obstacle detection, which – thanks to the Plug & Play feature – enables automatic determination of the direction of rotation and adjustment of the limit positions. The detection feature operates while closing and when an obstacle is detected in the clear opening of the roller shutter. The motor features frost protection. Pushbutton switch control.

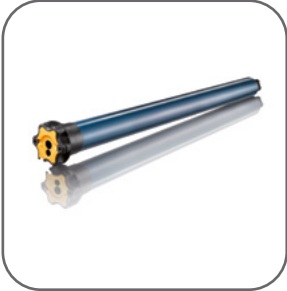
The Somfy Lock To Play self-locking hangers must be used.



Somfy Oximo io

Wireless motor with obstacle detection, automatic limit switches, and the io-homecontrol® technology. Integrated electronic system enables constant electronic torque control. The detection feature operates while closing and when an obstacle is detected in the clear opening of the roller shutter. The motor features frost protection. Two-way feedback function, making it possible to control the device status in real time.

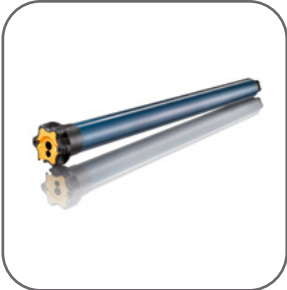
The Somfy Lock To Play self-locking hangers must be used.



Somfy RS100 io

Wireless motor featuring the io-homecontrol® technology, provides automatic detection of the direction of rotation, as well as automatic or fixed adjustment of the limit positions. A special feature of the RS 100 drive is the option to operate in a discrete mode, as well as soft start and stop. Two-way feedback function, making it possible to control the device status in real time.

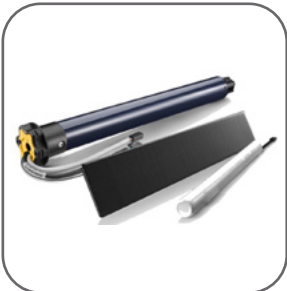
Somfy Lock To Play self-locking hangers must be used.



Somfy RS100 io Hybrid

Motor featuring 2 control options – wired and wireless. It can be controlled with an io controller or with a regular roller shutter switch. The motor provides automatic detection of the direction of rotation, as well as automatic or fixed adjustment of the limit positions. A special feature of the RS 100 drive is the option to operate in a discrete mode, as well as soft start and stop. Two-way feedback function, making it possible to control the device status in real time.

The Somfy Lock To Play self-locking hangers must be used.



Somfy RS100 Solar io

RS100 Solar io combines the assets of our classic drives with solar powered drives: quiet work, drive as a piece of home, reliability. Wireless motor equipped with io-homecontrol® technology, has a automatic detection of rotation as well as automatic or fixed adjustment of the limit positions. The characteristic feature of the RS100 drive is a possibility of working in a quiet mode and option of soft start and stop. Two-way feedback communication for real-time monitoring of the status of devices. Included with the motor is a solar panel 2.5W for 6 and 10Nm engines and 5.8W for 15Nm engine. Panel life time > 20 years. Another element of the motor kit is a 2200mAh battery that allows the shutters to work without access to sunlight for 45 days. The battery is mounted inside the box. Battery life > 8 years.

Usage of self-locking hooks Somfy Lock to Play is required.

io-homecontrol® control units



smartCONNECTED Box

The smartCONNECTED Box is a central control unit that connects all the home devices within a single smart control system. It can include WISNIOWSKI garage doors, gates, windows, doors, and roller shutters, as well as many other home elements that can take advantage of the io homecontrol technology, such as shutters and internal shades or blinds.

- Simple installation – the device is ready to use once it is powered on.
- In control wherever you are – independent control of the devices via the Internet, at home or remotely with your smartphone (with the iOS or Android operating system).
- Two-way communication – at any given time, you can check whether you have closed the garage door or the shutters.
- Scenarios for each day – set an appropriate scenario in the smartCONNECTED application, which will open the roller shutters exactly at dawn and will let the sun into your home.
- Convenient control – use an app from which you can control your home at any time – even with your voice.
- Not only garage doors, gates, windows, doors, and fences – the smartCONNECTED Box central control unit works with more than just WISNIOWSKI products. It can also handle lighting compatible with the io-homecontrol® technology.
- Central control unit dimensions: 11 x 7.1 x 2.8 cm

Combining the best qualities. Connecting garage doors, gates, windows, doors, and fences with the smartCONNECTED concept is the last stage of the purchase of these elements – it is a symbolic completion of the investment. Customers will surely appreciate the fact that by choosing smartCONNECTED, they do not have to worry about any hidden costs.



TaHoma Switch

One system to control it all

With the TaHoma Switch, you can control the devices at your home with your smartphone, tablet or computer. Clear interface and an intuitive system make it a system that is easy to use for anyone. Additional, immediate feedback gives you certainty that the tasks have been performed properly and no obstacles have been encountered. The TaHoma system also makes it possible to connect alarm systems, cameras, window opening sensors, and motion sensors. All these devices can be activated manually or automatically. You can freely activate them using individual scenarios, such as “open all roller shutters”, “lighting on” or “arm the alarm”, which effectively scares away potential intruders. The application pushes a notification to your smartphone each time an intruder is present in your home.

- The central control unit is compatible with almost 300 Somfy product types.
- Roller shutters
- Blinds and shutters
- Pergolas and awnings
- Gates, garage doors and door locks
- Lighting and smart sockets
- Cameras and alarms
- Heating
- Sensors
- Music and voice assistants

This exceptionally simple and intuitive system allows you to create 40 scenarios for over 200 home devices! You can freely modify each scenario and launch it whenever you want or on scheduled days and time. Do it all at a tap of a button on your smartphone, tablet or laptop.

Central control unit dimensions: (length x width x height): 110 x 71.25 x 28.13 mm



Nina Timer io

A remote with a touch screen display for central manual or automatic control of io drive units and io receivers. Product advantages:

- Two-way communication between the remote and the io drive / io receiver,
- notification about the performance of a request on the display,
- easily create scenarios for rooms, groups, floors and the entire home,
- ability to freely program up to 8 time commands for a single work schedule,
- presence simulation, Cosmic program in the evening,
- home mapping feature, assigning products to rooms, floors and groups,
- dimensions: 150mm x 65mm x 90mm.



Nina io

A remote with a 5 touch screen for central and manual control of io drives and receivers. Product advantages:

- ability to switch the io drives and receivers to the required position thanks to pictograms when in manual operation,
- easily create scenarios for rooms, groups, floors and the entire home,
- home mapping feature, assigning products to rooms, floors and groups,
- notification about the performance of a request on the display,
- dimensions: 145mm x 61mm x 22mm.



Set&Go io

A tool for installing io devices, which guides the user through the subsequent stages of installation. It manages the security key, detects any installed devices, helps select the parameters for each drive unit, quickly pairs controllers, and adapts the installation to the user's requirements. The Set&Go tool requires a computer with special free software available at www.somfypro.com/Set-Go. Wireless connection range is 20 m through 2 reinforced concrete walls.



Situ 1 io

1-channel portable remote with individual, group, and central operation. The "UP" button for opening the roller shutter, "DOWN" for closing, "MY" for stopping the current movement or activating the comfortable position. The kit includes a wall bracket for flexible installation. Available in the following colours: Pure, Iron, Natural, Arctic.



Situ 5 io

5-channel portable remote with individual, group and central operation. The "UP" button for opening the roller shutter, "DOWN" for closing, "MY" for stopping the current movement, activating the comfortable position or choosing the channel. LED showing the transmission status and battery level. The kit includes a wall bracket for flexible installation. Available in the following colours: Pure, Iron, Natural, Arctic.



Smoove 1 io

1-channel wall-mounted wireless transmitter for manual control of the wireless io drive. Touch buttons provide the following control: up-down-stop, central control can be enabled or disabled with a slide switch. LED shows the transmission status. Wireless transmitter, battery-powered. Available in the following colours: Pure Shine, Black Shine and Silver Shine.



Smoove RS 100 1 io

1-channel wall-mounted transmitter with speed adjustment for the RS100 drive series. Control with touch buttons: up-down-stop Features speed control switch (slow/normal). Individual or group control. LED shows the transmission status. Wireless transmitter, battery-powered. Available in the following colours: Pure Shine, Black Shine and Silver Shine.



Smoove Origin io

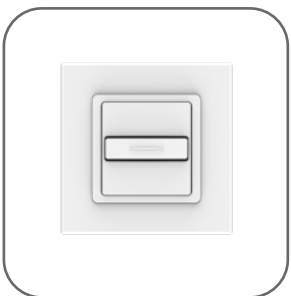
1-channel wall-mounted wireless io transmitter for controlling a single or several wireless io drives. Control with touch buttons: up-down-stop Individual or group control. LED shows the transmission status. Wireless transmitter, battery-powered. Available in the Pure colour.



Chronis io

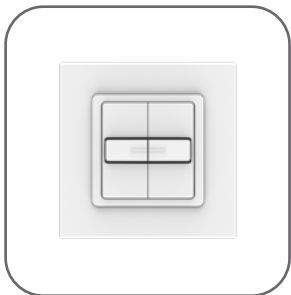
1-channel programmer timer. It can program a maximum of 4 individual opening and closing times for all days of the week. Easy to read, large display with a bright, light blue backlight. Automatic summer and winter time change. The Cosmic feature makes it possible to close the roller shutters at dusk. Wireless programmer, battery-powered.

Wired control



Smoove Uno WT

A switch with impulse maintenance for manual control of the wired drive or wired drive with obstacle detection. Control with up-stop-down buttons.



Smoove Duo WT

A switch with impulse maintenance for manual control of two independent wired drives or wired drives with obstacle detection. Control with up-stop-down buttons.



Chronis Smoove Uno

Programmer timer. Large backlit display for easy menu-based control and programming using a text display. Day and week program, possibility to program individual opening and closing times for each day of the week and for the entire week. Cosmic feature for evenings. Available in the following colours: Pure with a Pure frame, Black.



Somfy Smoove frames

For use with all Smoove series remotes and programmers.

ALUPROF accessories



Aluprof wired motor

Motor series DM35S and YYGL35S (winding tube $\phi 40$), as well as the DM45S and YYGL45S series (winding tube $\phi 60$) with mechanical limit switches, controlled with a pushbutton switch.



Aluprof wired motor with overload detection

Motors with overload detection series DM35BD (winding tube $\phi 40$) and series DM45BD (winding tube $\phi 60$) with built-in electronic limit switches, controlled with a pushbutton switch.

Usage of self-locking hooks Somfy Lock to Play is required.



Aluprof wireless motor

Motor series and DM35R (winding tube $\phi 40$) and DM45R (winding tube $\phi 60$) with a built-in wireless receiver and mechanical limit switches, controlled with the DC series wireless transmitters.



Aluprof wireless motor with overload detection

Motors with overload detection series DM35E (winding tube $\phi 40$) and series DM45E (winding tube $\phi 60$) with a built-in wireless receiver and electronic limit switches, controlled with the DC series wireless transmitters. Compatible with a bell switch.

Usage of self-locking hooks Somfy Lock to Play is required.

**1-channel DC1600 remote**

1-channel portable remote activates 1 device or automated group. Up to 200 m range in open and 35 m in closed spaces. Compatible with motor series DM35R, DM45R, DM35E and DM45E, as well as the DC series central control units.

**15-channel DC1602 remote**

15-channel portable remote activates 15 devices or automated groups. Up to 200 m range in open and 35 m in closed spaces. Compatible with motor series DM35R, DM45R, DM35E and DM45E, as well as the DC series central control units.

**DC1670 1-channel wall-mounted transmitter**

1-channel wall-mounted transmitter activates 1 device or automated group. Up to 200 m range in open and 35 m in closed spaces. Compatible with motor series DM35R, DM45R, DM35E and DM45E, as well as the DC series central control units.

**DC1671 2-channel wall-mounted transmitter**

2-channel wall-mounted transmitter activates 2 devices or automated groups. Up to 200 m range in open and 35 m in closed spaces. Compatible with motor series DM35R, DM45R, DM35E and DM45E, as well as the DC series central control units.

**DC1675 1-channel wall-mounted transmitter, programmer timer**

1-channel wall-mounted transmitter activates 1 device or automated group. Can program custom opening and closing hours for roller shutters. Up to 200 m range in open and 35 m in closed spaces. Compatible with motor series DM35R, DM45R, DM35E and DM45E, as well as the DC series central control units.

**DC1676 5-channel wall-mounted transmitter, programmer timer**

5-channel wall-mounted transmitter activates 5 devices or automated groups. Can program custom opening and closing hours for roller shutters. Up to 200 m range in open and 35 m in closed spaces. Compatible with motor series DM35R, DM45R, DM35E and DM45E, as well as the DC series central control units.

**DC1690 1-channel flush-mounted switch with built-in wireless**

Universal flush-mounted switch (with or without impulse maintenance), activates 1 motor. With a built-in wireless central control unit and compatible with DC series transmitters.

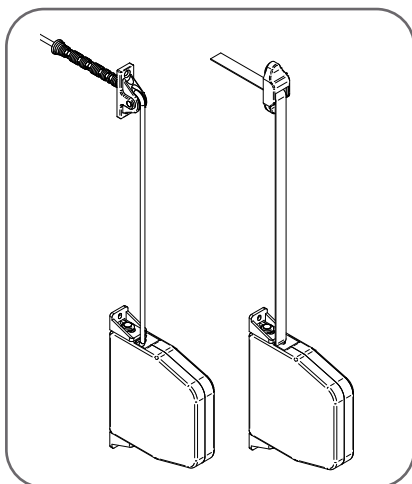
**DC73A wireless central control unit (installed in the box)**

For installation in roller shutter boxes from 165 mm. Accepts one drive with power up to 400 W. Compatible with wired motors, provides wireless transmission for a wired motor.

**AL-RSP01 flush-mounted wireless central control unit, flush-mounted (for keypad)**

Flush-mounted wireless central control unit for controlling a single drive. Installed in a standard flush-mounted box, compatible with all DC series transmitters.

Accessories



Cord/tape winder

Winding mechanism for controlling external shutters manually. For roller shutters with a surface area up to 3.5 m². Available in white and brown.

Cord

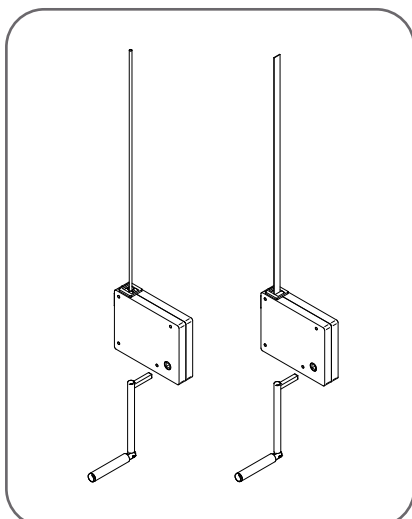
Diameter 4.5 mm, a cord winder accessory. Available in white and brown.

Tape

Width 14 mm, a tape winder accessory. Available in grey and brown.

PLEASE NOTE

In single-leaf windows, the winder is recommended to be mounted on the handle side. If mounting on the wall or lining is not possible we advise widening the window by at least 30 mm and write out the roller shutter in a separate position – inability of mounting the shutter in production.

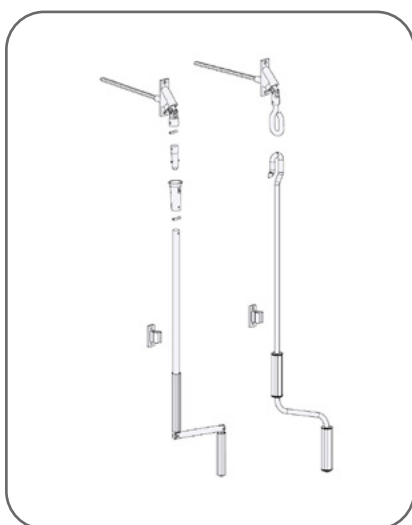


Crank winder – cord/tape

Winding mechanism for controlling external shutters manually. Includes a winder housing, Mignon crank, and a plate for fixing the winder. For roller shutters with a surface area up to 5 m². Available in white and brown.

PLEASE NOTE

In single-leaf windows, the winder is recommended to be mounted on the handle side.

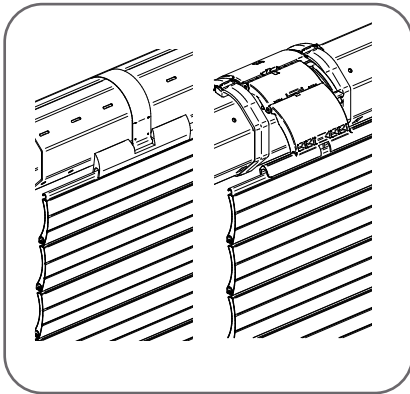


Cardan swivel with bell hitch

Winch is a drive element of ANR mechanism mounted inside of a shutter box. During performing an action of spinning the winch the torque is moved on a winding tube causing the curtain to roll or unfold. Selectable version operated at 45° or 90° angle. Joint terminated with bell hook.

Cardan swivel with lug

Winch is the driving element of the ANR mechanism mounted inside the roller shutter box. When the crank is turned, a torque is transferred to the winding tube causing the armour to be rolled up or down. Choice of 45° or 90° operating angle. The pivot ends in an eyelet, operated by a crank with a hook.



Hanger

Standard roller shutter curtain hanger, steel with a PVC inlet and felt lining. Felt provides additional protection from scratching the curtain, which can occur when the curtain is wound on the winding tube.

Lock To Play locking hanger

Hard hanger paired with motors with obstacle detection. When an obstacle occurs in the path of the curtain, it improves the curtain's resistance to damage. The slats in the lower end position are stiffened and locked, which prevents the roller shutter from making noise in the wind. The locker is seated on two snap rings and does not require the use of installation tools.

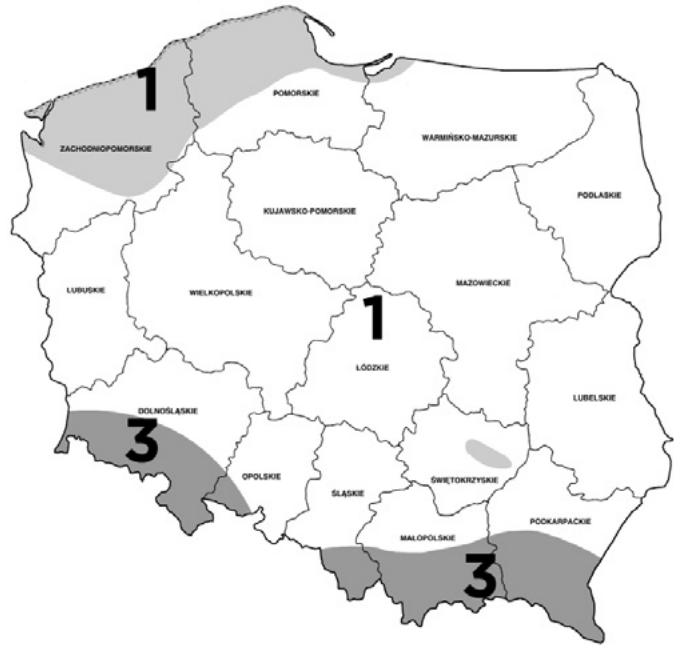


Wind load resistance class in accordance with PN-EN13659

POLAND

Terrain categories:

- 0** - Sea or coastal areas with wind flowing over the open sea
- I** - Lakes or flat and horizontal area with negligible vegetation and no obstacles
- II** - Areas with low vegetation such as grass, with or without a few free-standing obstacles (trees, buildings) with a distance between them of at least 20 times their height
- III** - Area with regular overgrowth or buildings or isolated obstacles with a gap of no more than 20 obstacle heights (e.g. villages, periurban areas, sustainable forests etc.)
- IV** - Urban areas where at least 15% of the surface area is covered with buildings with an average height of over 15 m



Wind speeds (PN-EN 1991-1-4)	
Wind zone	V_k (m/s)
I	22
II	26
III	22

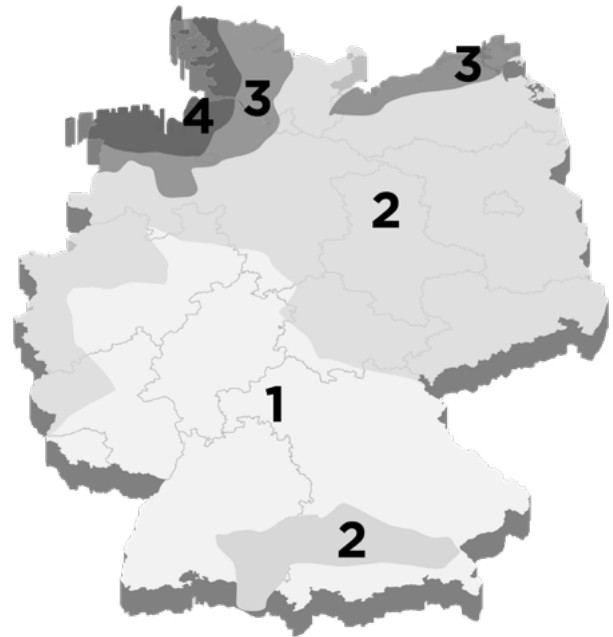
Assignment of roller shutter wind load resistance classes to the wind load zones in Poland																
Criterion		Roller shutter installation height on a building														
Terrain category	Requirements	up to 9 m			from 9 to 18 m			from 18 to 28 m			from 28 to 50 m			from 50 to 100 m		
		Wind zone			Wind zone			Wind zone			Wind zone			Wind zone		
		I	II	III	I	II	III	I	II	III	I	II	III	I	II	III
0	Wind load resistance class	3	4	3	4	4	4	4	4	4	4	5	4	4	5	4
I		3	4	3	3	4	3	4	4	4	4	4	4	4	5	4
II		2	3	2	3	4	3	3	4	3	4	4	4	4	5	4
III		2	3	2	3	3	3	3	4	3	3	4	3	4	4	4
IV		1	2	1	2	3	2	2	3	2	3	4	3	3	4	3



GERMANY

Terrain categories:

- 0** - Sea or coastal areas with wind flowing over the open sea
- I** - Lakes or flat and horizontal area with negligible vegetation and no obstacles
- II** - Areas with low vegetation such as grass, with or without a few free-standing obstacles (trees, buildings) with a distance between them of at least 20 times their height
- III** - Area with regular overgrowth or buildings or isolated obstacles with a gap of no more than 20 obstacle heights (e.g. villages, periurban areas, sustainable forests etc.)
- IV** - Urban areas where at least 15% of the surface area is covered with buildings with an average height of over 15 m
- V** - Urban areas where at least 15% of the surface area is covered with buildings with an average height of over 15 m



Wind speeds (PN-EN 1991-1-4)	
Wind zone	V _k (m/s)
I	22.5
II	25
III	27.5
IV	30

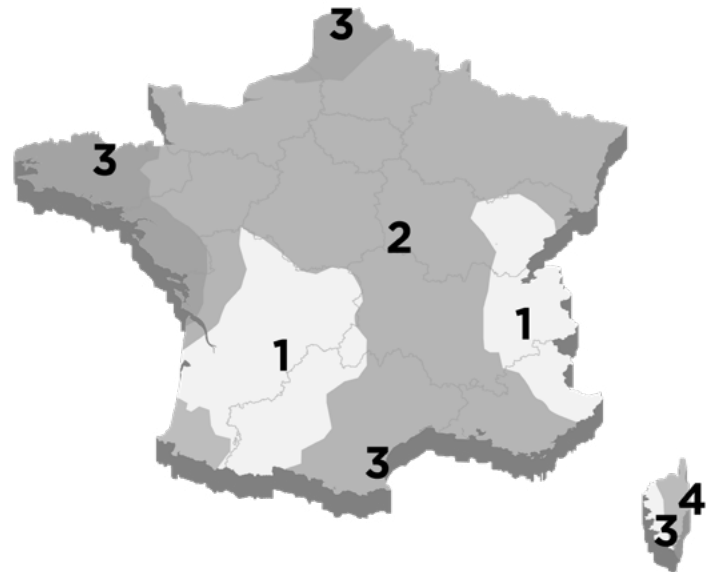
Assignment of roller shutter wind load resistance classes to the wind load zones in Germany																					
Criterion		Roller shutter installation height on a building																			
Terrain category	Requirements	up to 9 m				from 9 to 18 m				from 18 to 28 m				from 28 to 50 m				from 50 to 100 m			
		Wind zone				Wind zone				Wind zone				Wind zone				Wind zone			
		I	II	III	IV	I	II	III	IV	I	II	III	IV	I	II	III	IV	I	II	III	IV
0	Wind load resistance class	3	4	4	5	4	4	4	5	4	4	5	5	4	4	5	5	4	5	5	5
I		3	4	4	4	4	4	4	5	4	4	5	5	4	4	5	5	4	5	5	5
II		3	3	4	4	3	4	4	4	4	4	4	5	4	4	5	5	4	5	5	5
III		2	2	3	3	3	4	4	3	3	4	4	3	4	4	4	5	4	4	5	5
IV		1	1	2	2	2	2	3	3	2	3	3	4	3	3	4	4	3	4	4	5



FRANCE

Terrain categories:

- 0** - Sea or coastal areas with wind flowing over the open sea
- I** - Lakes or flat and horizontal area with negligible vegetation and no obstacles
- II** - Areas with low vegetation such as grass, with or without a few free-standing obstacles (trees, buildings) with a distance between them of at least 20 times their height
- IIIa** - Rural area with fences / hedges, vineyards, scattered homes
- IIIb** - Urbanized or industrial areas; thick groves; orchards
- IV** - Urban areas where at least 15% of the surface area is covered with buildings with an average height of over 15 m



Wind speeds (PN-EN 1991-1-4)					
Wind zone		Metropolitan France		Oversea departments	
I	V _k (m/s)	22	Guadeloupe	V _k (m/s)	36
II		24	Guyana		17
III		26	Martinique		32
IV		28	Mayotte		30
			Réunion		34

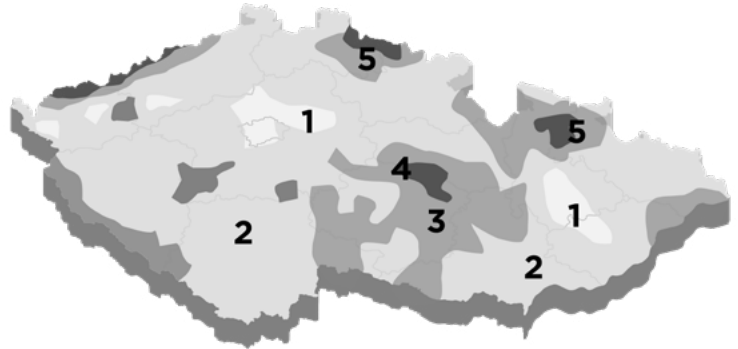
Assignment of roller shutter wind load resistance classes to the wind load zones in France																					
Criterion		Roller shutter installation height on a building																			
Terrain category	Requirements	up to 9 m				from 9 to 18 m				from 18 to 28 m				from 28 to 50 m				from 50 to 100 m			
		Wind zone				Wind zone				Wind zone				Wind zone				Wind zone			
		I	II	III	IV	I	II	III	IV	I	II	III	IV	I	II	III	IV	I	II	III	IV
0	Wind load resistance class	3	4	4	4	4	4	4	4	4	4	4	5	4	4	5	5	4	4	5	5
II		3	3	4	4	3	4	4	4	3	4	4	4	4	4	4	5	4	4	5	5
IIIa		2	2	3	3	3	3	3	4	3	3	4	4	3	4	4	4	4	4	4	5
IIIb		1	2	2	2	2	2	3	3	2	3	3	4	3	3	4	4	3	4	4	4
IV		1	1	2	2	1	2	2	3	2	2	3	3	2	3	3	4	3	4	4	4



CZECH REPUBLIC

Terrain categories:

- 0** - Sea or coastal areas with wind flowing over the open sea
- I** - Lakes or flat and horizontal area with negligible vegetation and no obstacles
- II** - Areas with low vegetation such as grass, with or without a few free-standing obstacles (trees, buildings) with a distance between them of at least 20 times their height
- III** - Area with regular overgrowth or buildings or isolated obstacles with a gap of no more than 20 obstacle heights (e.g. villages, periurban areas, sustainable forests etc.)
- IV** - Urban areas where at least 15% of the surface area is covered with buildings with an average height of over 15 m
- V** - Urban areas where at least 15% of the surface area is covered with buildings with an average height of over 15 m



Wind speeds (PN-EN 1991-1-4)	
Wind zone	V_k (m/s)
I	22.5
II	25
III	27.5
IV	30
V	36

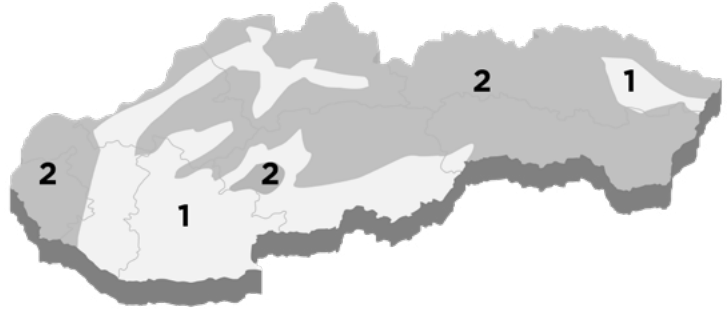
Assignment of roller shutter wind load resistance classes to the wind load zones in the Czech Republic																											
Criterion	Requirements	Roller shutter installation height on a building																									
		up to 9 m					from 9 to 18 m					from 18 to 28 m					from 28 to 50 m					from 50 to 100 m					
		Wind zone					Wind zone					Wind zone					Wind zone					Wind zone					
Terrain category		I	II	III	IV	V	I	II	III	IV	V	I	II	III	IV	V	I	II	III	IV	V	I	II	III	IV	V	
I	Wind load resistance class	3	4	4	4	5	4	4	4	4	5	5	4	4	5	5	6	4	4	5	5	6	4	5	5	5	6
II		3	3	4	4	5	3	4	4	4	5	4	4	4	5	5	4	4	5	5	6	4	4	5	5	6	
III		2	2	3	3	4	3	3	4	4	5	3	3	4	4	5	3	4	4	5	5	4	4	5	5	6	
IV		3	4	4	4	5	4	4	4	5	5	4	4	5	5	6	4	4	5	5	6	4	5	5	5	6	



SLOVAKIA

Terrain categories:

- 0** - Sea or coastal areas with wind flowing over the open sea
- I** - Lakes or flat and horizontal area with negligible vegetation and no obstacles
- II** - Areas with low vegetation such as grass, with or without a few free-standing obstacles (trees, buildings) with a distance between them of at least 20 times their height
- III** - Area with regular overgrowth or buildings or isolated obstacles with a gap of no more than 20 obstacle heights (e.g. villages, periurban areas, sustainable forests etc.)
- IV** - Urban areas where at least 15% of the surface area is covered with buildings with an average height of over 15 m



Wind speeds (PN-EN 1991-1-4)	
Wind zone	V_k (m/s)
I	24
II	26
III	30
IV	33

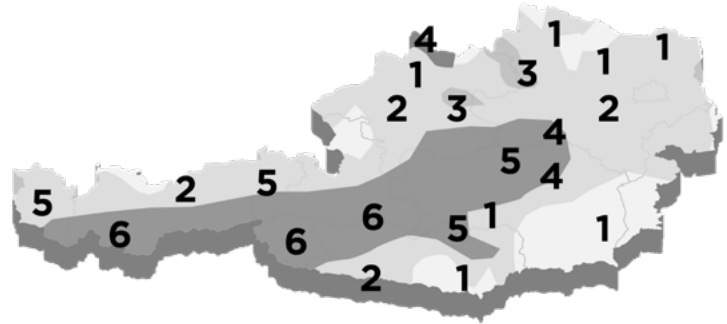
Assignment of roller shutter wind load resistance classes to the wind load zones in the Slovakia																					
Criterion		Roller shutter installation height on a building																			
Terrain category	Requirements	up to 9 m				from 9 to 18 m				from 18 to 28 m				from 28 to 50 m				from 50 to 100 m			
		Wind zone				Wind zone				Wind zone				Wind zone				Wind zone			
		I	II	III	IV	I	II	III	IV	I	II	III	IV	I	II	III	IV	I	II	III	IV
I	Wind load resistance class	1	2	2	3	2	2	3	4	3	3	4	4	3	4	4	4	4	4	5	5
II		3	4	4	4	4	4	4	5	4	4	5	5	4	4	5	5	4	5	5	6
III		2	3	3	4	3	3	4	4	3	4	4	5	4	4	5	5	4	4	5	5
IV		1	2	2	3	2	2	3	4	3	3	4	4	3	4	4	4	4	4	5	5



AUSTRIA

Terrain categories:

- 0** - Sea or coastal areas with wind flowing over the open sea
- I** - Lakes or flat and horizontal area with negligible vegetation and no obstacles
- II** - Areas with low vegetation such as grass, with or without a few free-standing obstacles (trees, buildings) with a distance between them of at least 20 times their height
- III** - Area with regular overgrowth or buildings or isolated obstacles with a gap of no more than 20 obstacle heights (e.g. villages, periurban areas, sustainable forests etc.)
- IV** - Urban areas where at least 15% of the surface area is covered with buildings with an average height of over 15 m



Wind speeds (PN-EN 1991-1-4)	
Wind zone	V _k (m/s)
I	24.2
II	27.5
III	30.8
IV	37.4
V	44
VI	50.6

Assignment of roller shutter wind load resistance classes to the wind load zones in the Austria																															
Criterion		Roller shutter installation height on a building																													
Ter- rain cate- gory	Require- ments	up to 9 m						from 9 to 18 m						from 18 to 28 m						from 28 to 50 m						from 50 to 100 m					
		Wind zone						Wind zone						Wind zone						Wind zone						Wind zone					
		I	II	III	IV	V	VI	I	II	III	IV	V	VI	I	II	III	IV	V	VI	I	II	III	IV	V	VI	I	II	III	IV	V	VI
II	Wind load resistance class	3	4	4	5	5	6	3	4	4	5	6	6	4	4	4	5	6	6	4	4	5	6	6	6	4	4	5	6	6	6
III		2	3	4	4	5	6	3	4	4	5	5	6	3	4	4	5	6	6	4	4	5	5	6	6	4	4	5	6	6	6
IV		1	2	3	4	4	5	2	3	3	4	5	5	2	3	4	4	5	6	3	4	4	5	6	6	4	4	5	5	6	6



Max. roller shutter width including guide rails in mm for the PA43 + MKT	Wind load resistance class in accordance with PN-EN13659		
	4	5	6
for guide rails: PPDO53, PPDO79	<=1,700	<=1,700	<=1,600
for guide rails: PPDMW-; PPDMW-P-; PPDAMW-; PPDAMW-P; PPMO 60/12	<=1,700	<=1,700	<=1,600



Protecta P roller shutters, nut brown colour (28).



Protecta P roller shutter, anthracite grey colour (23).

